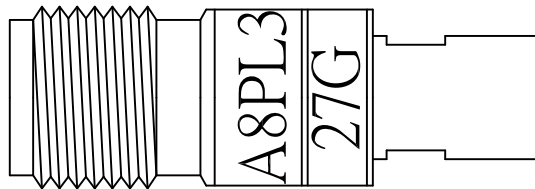
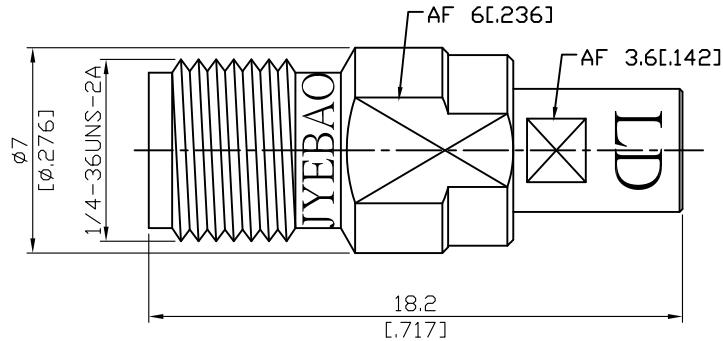


ADS-A8PL3-27-1.15

SMA Jack To SMP Plug Limited Detent  
27GHz VSWR 1.15

50Ω



Parts	Material	Plating ( Micro-inch )
Ring	Brass	Gold 4 Over Nickel-Phosphorus Alloy 80 Over Copper 20
Insulator (SMP)	PPO	
Contact Pin	Beryllium Copper	Gold 4 Over Nickel-Phosphorus Alloy 80 Over Copper 20
Insulator (SMA)	Teflon	
Body	Stainless Steel	Passivated

This part number complies with RoHS.

Notice: JYEBAO reserves the right to make modifications deemed appropriate.

