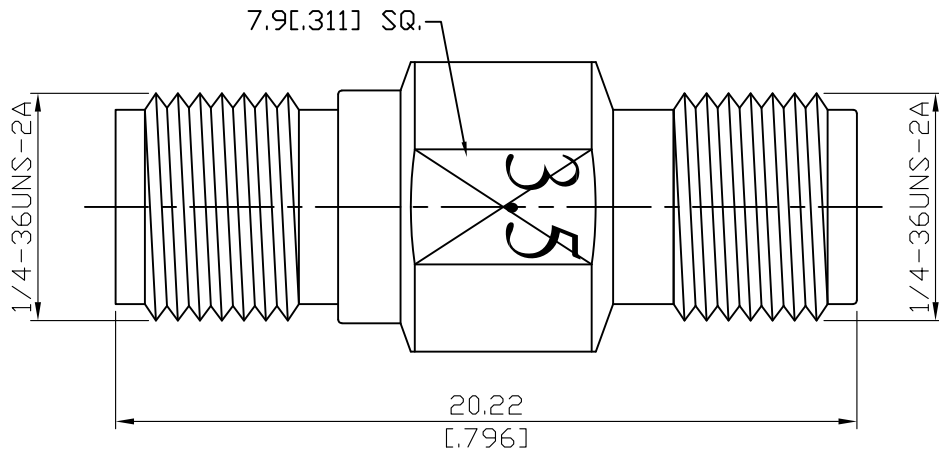


ADS-A8PC8-27-1.15	SMA Jack To 3.5 Jack 27GHz VSWR 1.15	50Ω
-------------------	---	-----



Parts	Material	Plating (Micro-inch)
Contact Pin	Beryllium Copper	Gold 4 Over Nickel-Phosphorus Alloy 80 Over Copper 20
Body	Stainless Steel	Passivated
Insulator (SMA)	PTFE	
Insulator (3.5)	PPO	

--	--

This part number complies with RoHS.

Notice: JYEBAO reserves the right to make modifications deemed appropriate.

ADS-A8PC8-27-1.15	SMA Jack To 3.5 Jack 27GHz VSWR 1.15															
<div style="border: 1px solid black; padding: 2px; margin-bottom: 5px;">Interface</div> Standard Mechanically compatible with	<table border="1" style="width: 100%; border-collapse: collapse;"> <thead> <tr> <th style="width: 50%;">3.5</th> <th style="width: 50%;">SMA</th> </tr> </thead> <tbody> <tr> <td style="text-align: center;">IEC60169-23</td> <td style="text-align: center;">MIL-STD-348B</td> </tr> <tr> <td style="text-align: center;">2.92 & SMA</td> <td style="text-align: center;">2.92 & 3.5</td> </tr> </tbody> </table>	3.5	SMA	IEC60169-23	MIL-STD-348B	2.92 & SMA	2.92 & 3.5									
3.5	SMA															
IEC60169-23	MIL-STD-348B															
2.92 & SMA	2.92 & 3.5															
<div style="border: 1px solid black; padding: 2px; margin-bottom: 5px;">Electrical Data</div> Impedance Frequency Range VSWR Insertion Loss Insulation Resistance Dielectric Withstanding Voltage (at sea level) Working Voltage (at sea level)	<table style="width: 100%; border-collapse: collapse;"> <tbody> <tr> <td style="width: 50%;">Impedance</td> <td style="width: 50%;">50Ω</td> </tr> <tr> <td>Frequency Range</td> <td>DC To 27GHz</td> </tr> <tr> <td>VSWR</td> <td>≤ 1.15 (DC To 27GHz)</td> </tr> <tr> <td>Insertion Loss</td> <td>≤ 0.05 x √f(GHz) dB</td> </tr> <tr> <td>Insulation Resistance</td> <td>≥ 5000MΩ</td> </tr> <tr> <td>Dielectric Withstanding Voltage (at sea level)</td> <td>1000 V rms</td> </tr> <tr> <td>Working Voltage (at sea level)</td> <td>335 V rms</td> </tr> </tbody> </table>		Impedance	50Ω	Frequency Range	DC To 27GHz	VSWR	≤ 1.15 (DC To 27GHz)	Insertion Loss	≤ 0.05 x √f(GHz) dB	Insulation Resistance	≥ 5000MΩ	Dielectric Withstanding Voltage (at sea level)	1000 V rms	Working Voltage (at sea level)	335 V rms
Impedance	50Ω															
Frequency Range	DC To 27GHz															
VSWR	≤ 1.15 (DC To 27GHz)															
Insertion Loss	≤ 0.05 x √f(GHz) dB															
Insulation Resistance	≥ 5000MΩ															
Dielectric Withstanding Voltage (at sea level)	1000 V rms															
Working Voltage (at sea level)	335 V rms															
<div style="border: 1px solid black; padding: 2px; margin-bottom: 5px;">Mechanical Data</div> Recommended Coupling Nut Torque Coupling Proof Torque Contact Captivation-axial Durability (mating)	<table border="1" style="width: 100%; border-collapse: collapse;"> <thead> <tr> <th style="width: 50%;">3.5</th> <th style="width: 50%;">SMA</th> </tr> </thead> <tbody> <tr> <td style="text-align: center;">7.1 to 9.7 in-lbs</td> <td style="text-align: center;">7.5 to 9.5 in-lbs</td> </tr> <tr> <td style="text-align: center;">15 in-lbs</td> <td style="text-align: center;">15 in-lbs</td> </tr> <tr> <td style="text-align: center;">≥ 6.1 lbs</td> <td style="text-align: center;">≥ 6.1 lbs</td> </tr> <tr> <td style="text-align: center;">≥ 500</td> <td style="text-align: center;">≥ 500</td> </tr> </tbody> </table>		3.5	SMA	7.1 to 9.7 in-lbs	7.5 to 9.5 in-lbs	15 in-lbs	15 in-lbs	≥ 6.1 lbs	≥ 6.1 lbs	≥ 500	≥ 500				
3.5	SMA															
7.1 to 9.7 in-lbs	7.5 to 9.5 in-lbs															
15 in-lbs	15 in-lbs															
≥ 6.1 lbs	≥ 6.1 lbs															
≥ 500	≥ 500															
<div style="border: 1px solid black; padding: 2px; margin-bottom: 5px;">Environmental Data</div> Temperature Range Thermal Shock Moisture Resistance Corrosion RoHS	<table style="width: 100%; border-collapse: collapse;"> <tbody> <tr> <td style="width: 50%;">Temperature Range</td> <td style="width: 50%;">-55°C to +105°C</td> </tr> <tr> <td>Thermal Shock</td> <td>MIL-STD-202, Method 107, Condition B</td> </tr> <tr> <td>Moisture Resistance</td> <td>MIL-STD-202, Method 206</td> </tr> <tr> <td>Corrosion</td> <td>MIL-STD-202, Method 101, Condition B</td> </tr> <tr> <td>RoHS</td> <td>Compliant</td> </tr> </tbody> </table>		Temperature Range	-55°C to +105°C	Thermal Shock	MIL-STD-202, Method 107, Condition B	Moisture Resistance	MIL-STD-202, Method 206	Corrosion	MIL-STD-202, Method 101, Condition B	RoHS	Compliant				
Temperature Range	-55°C to +105°C															
Thermal Shock	MIL-STD-202, Method 107, Condition B															
Moisture Resistance	MIL-STD-202, Method 206															
Corrosion	MIL-STD-202, Method 101, Condition B															
RoHS	Compliant															

ADS-A8PC8-27-1.15

