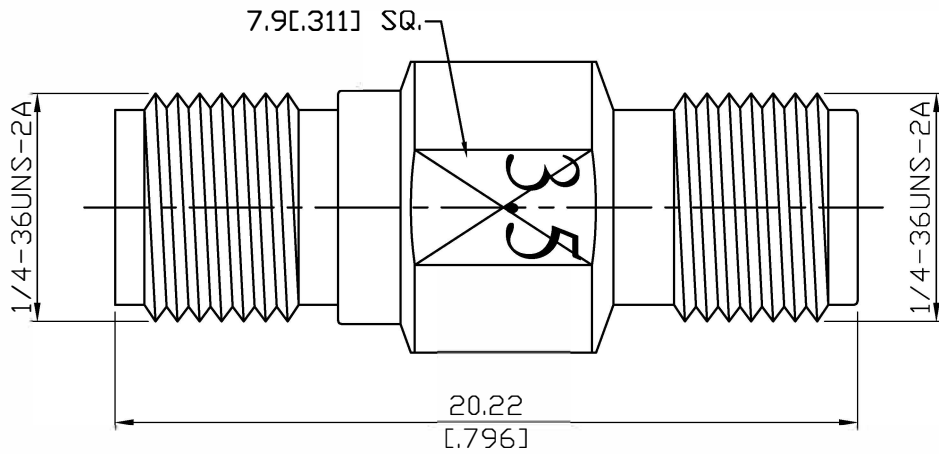


ADS-A8PC8-27-1.1	SMA Jack To 3.5 Jack 27GHz VSWR 1.1	50Ω
------------------	--	-----



Parts	Material	Plating (Micro-inch)
Contact Pin	Beryllium Copper	Gold 4 Over Nickel-Phosphorus Alloy 80 Over Copper 20
Body	Stainless Steel	Passivated
Insulator (SMA)	PTFE	
Insulator (3.5)	PPO	

--	--

This part number complies with RoHS.

Notice: JYEBAO reserves the right to make modifications deemed appropriate.

ADS-A8PC8-27-1.1	SMA Jack To 3.5 Jack 27GHz VSWR 1.1																									
<table border="1"> <tr> <td data-bbox="113 324 531 392">Interface</td> <td data-bbox="531 324 1123 392">3.5</td> <td data-bbox="1123 324 1479 392">SMA</td> </tr> <tr> <td data-bbox="113 392 531 443">Standard</td> <td data-bbox="531 392 1123 443">IEC60169-23</td> <td data-bbox="1123 392 1479 443">MIL-STD-348B</td> </tr> <tr> <td data-bbox="113 443 531 584">Mechanically compatible with</td> <td data-bbox="531 443 1123 584">2.92 & SMA</td> <td data-bbox="1123 443 1479 584">2.92 & 3.5</td> </tr> </table>	Interface	3.5	SMA	Standard	IEC60169-23	MIL-STD-348B	Mechanically compatible with	2.92 & SMA	2.92 & 3.5																	
Interface	3.5	SMA																								
Standard	IEC60169-23	MIL-STD-348B																								
Mechanically compatible with	2.92 & SMA	2.92 & 3.5																								
<table border="1"> <tr> <td data-bbox="113 584 531 651">Electrical Data</td> <td colspan="2" data-bbox="531 584 1479 651"></td> </tr> <tr> <td data-bbox="113 651 531 703">Impedance</td> <td colspan="2" data-bbox="531 651 1479 703">50Ω</td> </tr> <tr> <td data-bbox="113 703 531 754">Frequency Range</td> <td colspan="2" data-bbox="531 703 1479 754">DC To 27GHz</td> </tr> <tr> <td data-bbox="113 754 531 806">VSWR</td> <td colspan="2" data-bbox="531 754 1479 806">≤ 1.1 (DC To 27GHz)</td> </tr> <tr> <td data-bbox="113 806 531 857">Insertion Loss</td> <td colspan="2" data-bbox="531 806 1479 857">≤ 0.05 x √f(GHz) dB</td> </tr> <tr> <td data-bbox="113 857 531 909">Insulation Resistance</td> <td colspan="2" data-bbox="531 857 1479 909">≥ 5000MΩ</td> </tr> <tr> <td data-bbox="113 909 531 960">Dielectric Withstanding Voltage (at sea level)</td> <td colspan="2" data-bbox="531 909 1479 960">1000 V rms</td> </tr> <tr> <td data-bbox="113 960 531 1081">Working Voltage (at sea level)</td> <td colspan="2" data-bbox="531 960 1479 1081">335 V rms</td> </tr> </table>	Electrical Data			Impedance	50Ω		Frequency Range	DC To 27GHz		VSWR	≤ 1.1 (DC To 27GHz)		Insertion Loss	≤ 0.05 x √f(GHz) dB		Insulation Resistance	≥ 5000MΩ		Dielectric Withstanding Voltage (at sea level)	1000 V rms		Working Voltage (at sea level)	335 V rms			
Electrical Data																										
Impedance	50Ω																									
Frequency Range	DC To 27GHz																									
VSWR	≤ 1.1 (DC To 27GHz)																									
Insertion Loss	≤ 0.05 x √f(GHz) dB																									
Insulation Resistance	≥ 5000MΩ																									
Dielectric Withstanding Voltage (at sea level)	1000 V rms																									
Working Voltage (at sea level)	335 V rms																									
<table border="1"> <tr> <td data-bbox="113 1081 531 1149">Mechanical Data</td> <td data-bbox="531 1081 1123 1149">3.5</td> <td data-bbox="1123 1081 1479 1149">SMA</td> </tr> <tr> <td data-bbox="113 1149 531 1200">Recommended Coupling Nut Torque</td> <td data-bbox="531 1149 1123 1200">7.1 to 9.7 in-lbs</td> <td data-bbox="1123 1149 1479 1200">7.5 to 9.5 in-lbs</td> </tr> <tr> <td data-bbox="113 1200 531 1252">Coupling Proof Torque</td> <td data-bbox="531 1200 1123 1252">15 in-lbs</td> <td data-bbox="1123 1200 1479 1252">15 in-lbs</td> </tr> <tr> <td data-bbox="113 1252 531 1303">Contact Captivation-axial</td> <td data-bbox="531 1252 1123 1303">≥ 6.1 lbs</td> <td data-bbox="1123 1252 1479 1303">≥ 6.1 lbs</td> </tr> <tr> <td data-bbox="113 1303 531 1435">Durability (mating)</td> <td data-bbox="531 1303 1123 1435">≥ 500</td> <td data-bbox="1123 1303 1479 1435">≥ 500</td> </tr> </table>	Mechanical Data	3.5	SMA	Recommended Coupling Nut Torque	7.1 to 9.7 in-lbs	7.5 to 9.5 in-lbs	Coupling Proof Torque	15 in-lbs	15 in-lbs	Contact Captivation-axial	≥ 6.1 lbs	≥ 6.1 lbs	Durability (mating)	≥ 500	≥ 500											
Mechanical Data	3.5	SMA																								
Recommended Coupling Nut Torque	7.1 to 9.7 in-lbs	7.5 to 9.5 in-lbs																								
Coupling Proof Torque	15 in-lbs	15 in-lbs																								
Contact Captivation-axial	≥ 6.1 lbs	≥ 6.1 lbs																								
Durability (mating)	≥ 500	≥ 500																								
<table border="1"> <tr> <td data-bbox="113 1435 531 1503">Environmental Data</td> <td colspan="2" data-bbox="531 1435 1479 1503"></td> </tr> <tr> <td data-bbox="113 1503 531 1554">Temperature Range</td> <td colspan="2" data-bbox="531 1503 1479 1554">-55°C to +105°C</td> </tr> <tr> <td data-bbox="113 1554 531 1606">Thermal Shock</td> <td colspan="2" data-bbox="531 1554 1479 1606">MIL-STD-202, Method 107, Condition B</td> </tr> <tr> <td data-bbox="113 1606 531 1657">Moisture Resistance</td> <td colspan="2" data-bbox="531 1606 1479 1657">MIL-STD-202, Method 206</td> </tr> <tr> <td data-bbox="113 1657 531 1709">Corrosion</td> <td colspan="2" data-bbox="531 1657 1479 1709">MIL-STD-202, Method 101, Condition B</td> </tr> <tr> <td data-bbox="113 1709 531 2065">RoHS</td> <td colspan="2" data-bbox="531 1709 1479 2065">Compliant</td> </tr> </table>	Environmental Data			Temperature Range	-55°C to +105°C		Thermal Shock	MIL-STD-202, Method 107, Condition B		Moisture Resistance	MIL-STD-202, Method 206		Corrosion	MIL-STD-202, Method 101, Condition B		RoHS	Compliant									
Environmental Data																										
Temperature Range	-55°C to +105°C																									
Thermal Shock	MIL-STD-202, Method 107, Condition B																									
Moisture Resistance	MIL-STD-202, Method 206																									
Corrosion	MIL-STD-202, Method 101, Condition B																									
RoHS	Compliant																									

ADS-A8PC8-27-1.1

