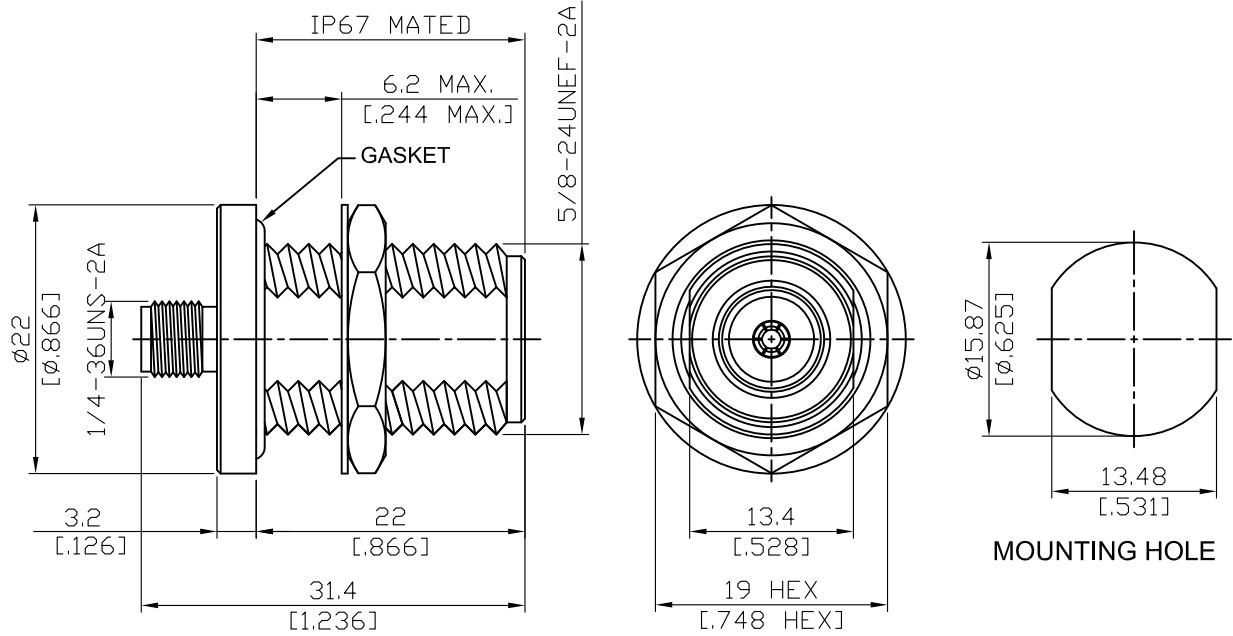


ADS-A8N8-BF-18B-1.15

SMA Jack To N Jack Bulkhead;
IP67 Mated; 18GHz VSWR 1.15

50Ω



Parts	Material	Plating (Micro-inch)
Hex Nut	Stainless Steel	Passivated
Lock Washer	Stainless Steel	Passivated
Gasket	Silicone	
Contact Pin	Beryllium Copper	Gold 4 Over Nickel-Phosphorus Alloy 80 Over Copper 20
Insulator	Teflon	
Body	Stainless Steel	Passivated

This part number complies with RoHS.

Notice: JYEBAO reserves the right to make modifications deemed appropriate.

ADS-A8N8-BF-18B-1.15	SMA Jack To N Jack Bulkhead; IP67 Mated; 18GHz VSWR 1.15											
<div style="border: 1px solid black; padding: 2px;">Interface</div> <p>Standard Mechanically compatible with</p>	<table border="1"> <thead> <tr> <th>SMA</th> <th>N</th> </tr> </thead> <tbody> <tr> <td>MIL-STD-348B</td> <td>MIL-STD-348B</td> </tr> <tr> <td>2.92 & 3.5</td> <td></td> </tr> </tbody> </table>	SMA	N	MIL-STD-348B	MIL-STD-348B	2.92 & 3.5						
SMA	N											
MIL-STD-348B	MIL-STD-348B											
2.92 & 3.5												
<div style="border: 1px solid black; padding: 2px;">Electrical Data</div> <p>Impedance Frequency Range VSWR Insertion Loss Insulation Resistance Dielectric Withstanding Voltage (at sea level) Working Voltage (at sea level)</p>	<p>50Ω DC To 18GHz ≤ 1.15 (DC To 18GHz) ≤ 0.04 x √f(GHz) dB ≥ 5000MΩ 1500 V rms 500 V rms</p>											
<div style="border: 1px solid black; padding: 2px;">Mechanical Data</div> <p>Recommended Coupling Nut Torque Coupling Proof Torque Contact Captivation-axial Durability (mating)</p>	<table border="1"> <thead> <tr> <th>SMA</th> <th>N</th> </tr> </thead> <tbody> <tr> <td>7 to 9.5 in-lbs</td> <td>6 to 10 in-lbs</td> </tr> <tr> <td>15 in-lbs</td> <td>15 in-lbs</td> </tr> <tr> <td>≥ 6.1 lbs</td> <td>≥ 6.3 lbs</td> </tr> <tr> <td>≥ 500</td> <td>≥ 500</td> </tr> </tbody> </table>		SMA	N	7 to 9.5 in-lbs	6 to 10 in-lbs	15 in-lbs	15 in-lbs	≥ 6.1 lbs	≥ 6.3 lbs	≥ 500	≥ 500
SMA	N											
7 to 9.5 in-lbs	6 to 10 in-lbs											
15 in-lbs	15 in-lbs											
≥ 6.1 lbs	≥ 6.3 lbs											
≥ 500	≥ 500											
<div style="border: 1px solid black; padding: 2px;">Environmental Data</div> <p>Temperature Range Thermal Shock Moisture Resistance Corrosion RoHS</p>	<p>-65°C to +165°C MIL-STD-202, Method 107, Condition B MIL-STD-202, Method 206 MIL-STD-202, Method 101, Condition B Compliant</p>											

Notice: JYEBAO reserves the right to make modifications deemed appropriate.

