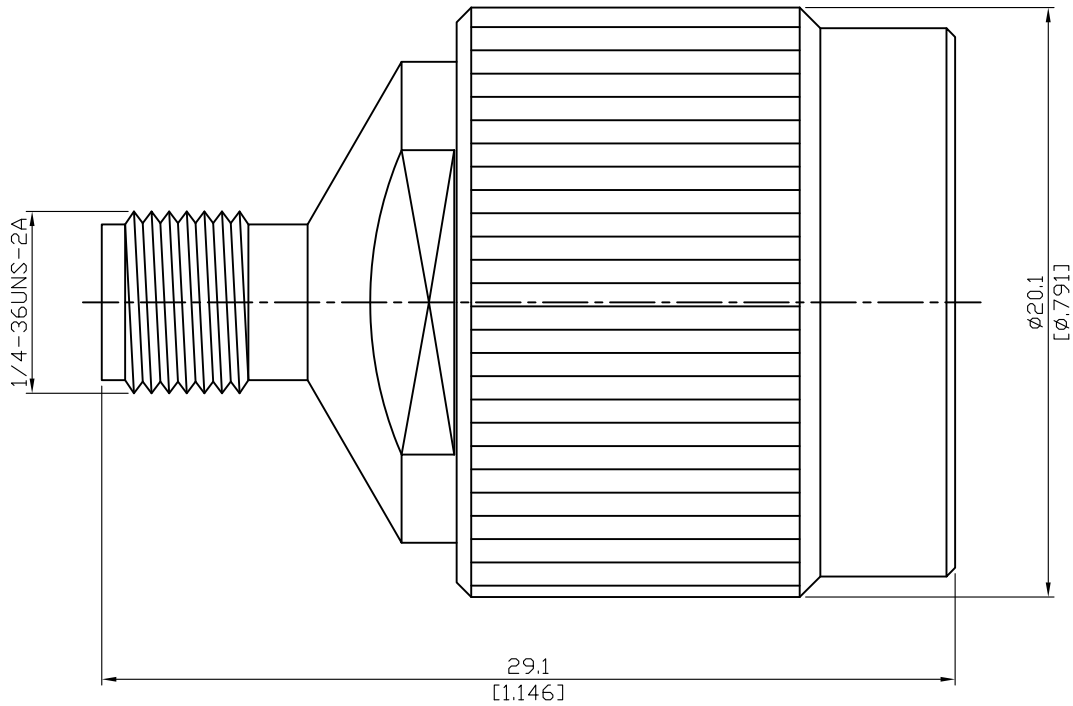


ADS-A8N3B-18-1.2

SMA Jack To N Plug
18GHz VSWR1.2

50Ω



Parts	Material	Plating (Micro-inch)
Retainer Ring	Brass	Tin-Zinc-Copper-Alloy 100 Over Copper 50
Gasket	Silicone	
Contact Pin	Beryllium Copper	Gold 4 Over Nickel-Phosphorus Alloy 80 Over Copper 20
Insulator	Teflon	
Body	Stainless Steel	Passivated
Coupling Nut	Stainless Steel	Passivated

This part number complies with RoHS.

Notice: JYEBAO reserves the right to make modifications deemed appropriate.

ADS-A8N3B-18-1.2	SMA Jack To N Plug 18GHz VSWR 1.2													
<div style="border: 1px solid black; padding: 2px;">Interface</div> <p>Standard Mechanically compatible with</p>	<table border="1"> <thead> <tr> <th data-bbox="780 344 1123 394">SMA</th> <th data-bbox="1123 344 1482 394">N</th> </tr> </thead> <tbody> <tr> <td data-bbox="780 394 1123 443">MIL-STD-348B</td> <td data-bbox="1123 394 1482 443">MIL-STD-348B</td> </tr> <tr> <td data-bbox="780 443 1123 492">2.92 & 3.5</td> <td data-bbox="1123 443 1482 492"></td> </tr> </tbody> </table>	SMA	N	MIL-STD-348B	MIL-STD-348B	2.92 & 3.5								
SMA	N													
MIL-STD-348B	MIL-STD-348B													
2.92 & 3.5														
<div style="border: 1px solid black; padding: 2px;">Electrical Data</div> <p>Impedance Frequency Range VSWR Insertion Loss Insulation Resistance Dielectric Withstanding Voltage (at sea level) Working Voltage (at sea level)</p>	<p>50Ω DC To 18GHz ≤ 1.2 (DC To 18GHz) ≤ 0.04 x √f(GHz) dB ≥ 5000MΩ 1500 V rms 500 V rms</p>													
<div style="border: 1px solid black; padding: 2px;">Mechanical Data</div> <p>Recommended Coupling Nut Torque Coupling Proof Torque Coupling Nut Retention Force Contact Captivation-axial Durability (mating)</p>	<table border="1"> <thead> <tr> <th data-bbox="780 1160 1123 1209">SMA</th> <th data-bbox="1123 1160 1482 1209">N</th> </tr> </thead> <tbody> <tr> <td data-bbox="780 1209 1123 1258">7 to 9.5 in-lbs</td> <td data-bbox="1123 1209 1482 1258">6 to 10 in-lbs</td> </tr> <tr> <td data-bbox="780 1258 1123 1308">15 in-lbs</td> <td data-bbox="1123 1258 1482 1308">15 in-lbs</td> </tr> <tr> <td data-bbox="780 1308 1123 1357">NA</td> <td data-bbox="1123 1308 1482 1357">≥ 101.2 lbs</td> </tr> <tr> <td data-bbox="780 1357 1123 1406">≥ 6.1 lbs</td> <td data-bbox="1123 1357 1482 1406">≥ 6.3 lbs</td> </tr> <tr> <td data-bbox="780 1406 1123 1456">≥ 500</td> <td data-bbox="1123 1406 1482 1456">≥ 500</td> </tr> </tbody> </table>		SMA	N	7 to 9.5 in-lbs	6 to 10 in-lbs	15 in-lbs	15 in-lbs	NA	≥ 101.2 lbs	≥ 6.1 lbs	≥ 6.3 lbs	≥ 500	≥ 500
SMA	N													
7 to 9.5 in-lbs	6 to 10 in-lbs													
15 in-lbs	15 in-lbs													
NA	≥ 101.2 lbs													
≥ 6.1 lbs	≥ 6.3 lbs													
≥ 500	≥ 500													
<div style="border: 1px solid black; padding: 2px;">Environmental Data</div> <p>Temperature Range Thermal Shock Moisture Resistance Corrosion RoHS</p>	<p>-65°C to +165°C MIL-STD-202, Method 107, Condition B MIL-STD-202, Method 206 MIL-STD-202, Method 101, Condition B Compliant</p>													

Notice: JYEBAO reserves the right to make modifications deemed appropriate.

ADS-A8N3B-18-1.2

