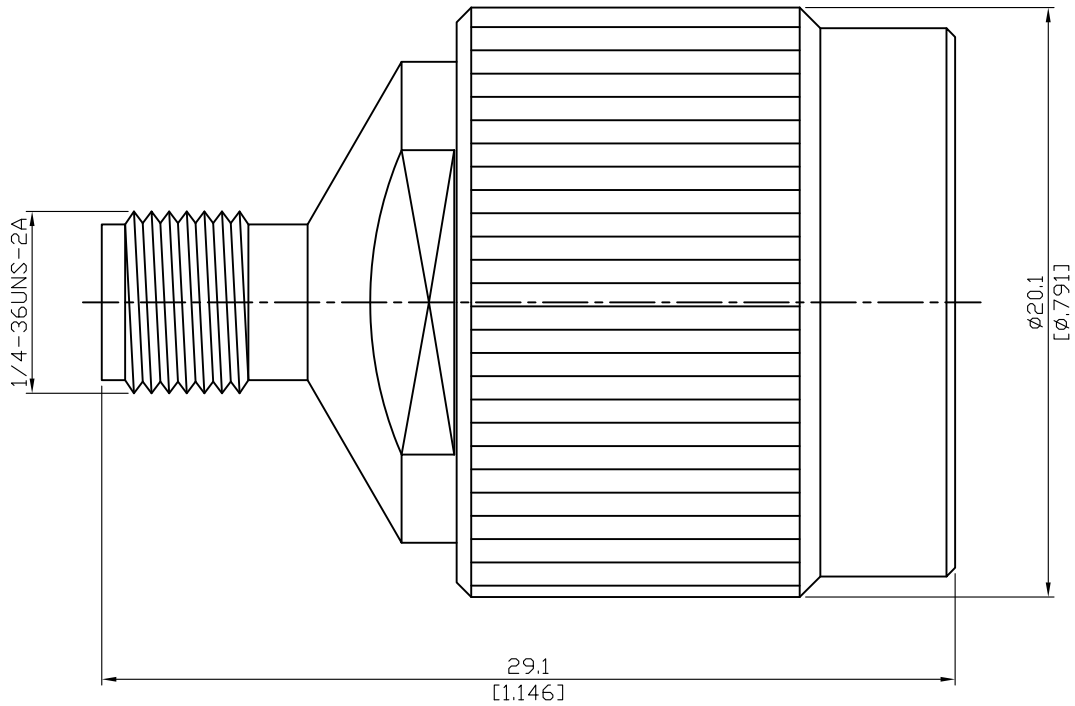


ADS-A8N3B-18-1.15	SMA Jack To N Plug 18GHz VSWR1.15	50Ω
-------------------	--------------------------------------	-----



Parts	Material	Plating ( Micro-inch )
Retainer Ring	Brass	Tin-Zinc-Copper-Alloy 100 Over Copper 50
Gasket	Silicone	
Contact Pin	Beryllium Copper	Gold 4 Over Nickel-Phosphorus Alloy 80 Over Copper 20
Insulator	Teflon	
Body	Stainless Steel	Passivated
Coupling Nut	Stainless Steel	Passivated

--	--

This part number complies with RoHS.

Notice: JYEBAO reserves the right to make modifications deemed appropriate.

ADS-A8N3B-18-1.15	SMA Jack To N Plug 18GHz VSWR1.15													
<div style="border: 1px solid black; padding: 2px;">Interface</div> <p>Standard Mechanically compatible with</p>	<table border="1"> <thead> <tr> <th>SMA</th> <th>N</th> </tr> </thead> <tbody> <tr> <td>MIL-STD-348B</td> <td>MIL-STD-348B</td> </tr> <tr> <td>2.92 &amp; 3.5</td> <td></td> </tr> </tbody> </table>	SMA	N	MIL-STD-348B	MIL-STD-348B	2.92 & 3.5								
SMA	N													
MIL-STD-348B	MIL-STD-348B													
2.92 & 3.5														
<div style="border: 1px solid black; padding: 2px;">Electrical Data</div> <p>Impedance Frequency Range VSWR Insertion Loss Insulation Resistance Dielectric Withstanding Voltage (at sea level) Working Voltage (at sea level)</p>	<p>50Ω DC To 18GHz ≤ 1.15 (DC To 18GHz) ≤ 0.04 x √f(GHz) dB ≥ 5000MΩ 1500 V rms 500 V rms</p>													
<div style="border: 1px solid black; padding: 2px;">Mechanical Data</div> <p>Recommended Coupling Nut Torque Coupling Proof Torque Coupling Nut Retention Force Contact Captivation-axial Durability (mating)</p>	<table border="1"> <thead> <tr> <th>SMA</th> <th>N</th> </tr> </thead> <tbody> <tr> <td>7 to 9.5 in-lbs</td> <td>6 to 10 in-lbs</td> </tr> <tr> <td>15 in-lbs</td> <td>15 in-lbs</td> </tr> <tr> <td>NA</td> <td>≥ 101.2 lbs</td> </tr> <tr> <td>≥ 6.1 lbs</td> <td>≥ 6.3 lbs</td> </tr> <tr> <td>≥ 500</td> <td>≥ 500</td> </tr> </tbody> </table>		SMA	N	7 to 9.5 in-lbs	6 to 10 in-lbs	15 in-lbs	15 in-lbs	NA	≥ 101.2 lbs	≥ 6.1 lbs	≥ 6.3 lbs	≥ 500	≥ 500
SMA	N													
7 to 9.5 in-lbs	6 to 10 in-lbs													
15 in-lbs	15 in-lbs													
NA	≥ 101.2 lbs													
≥ 6.1 lbs	≥ 6.3 lbs													
≥ 500	≥ 500													
<div style="border: 1px solid black; padding: 2px;">Environmental Data</div> <p>Temperature Range Thermal Shock Moisture Resistance Corrosion RoHS</p>	<p>-65°C to +165°C MIL-STD-202, Method 107, Condition B MIL-STD-202, Method 206 MIL-STD-202, Method 101, Condition B Compliant</p>													

Notice: JYEBAO reserves the right to make modifications deemed appropriate.

# ADS-A8N3B-18-1.15

