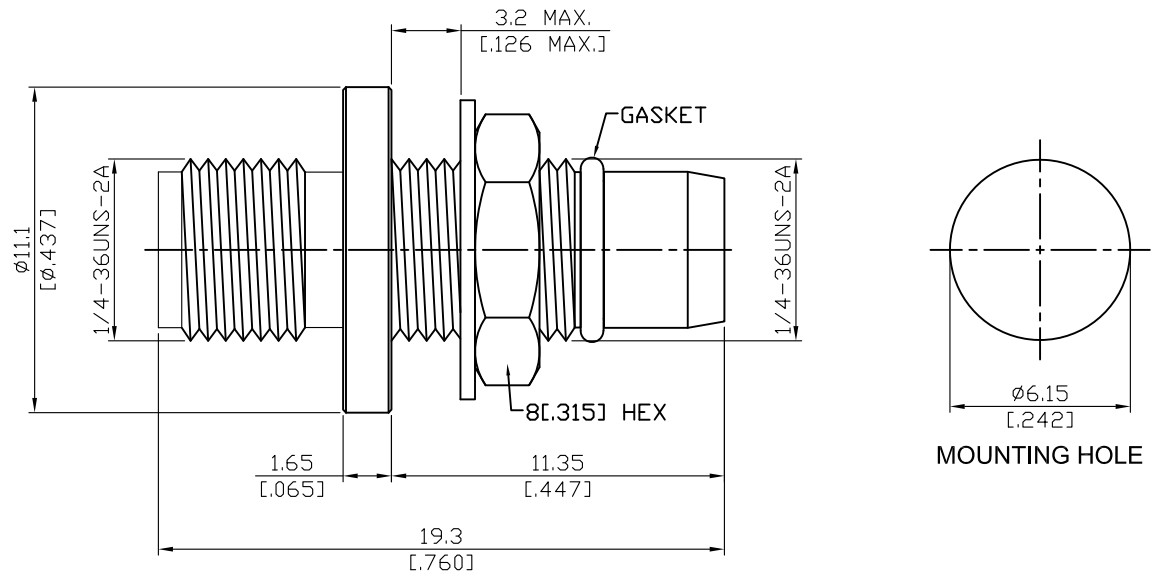


ADS-A8J3-BFA

SMA Jack To BMA Plug Bulkhead
18GHz VSWR 1.15

50Ω



Parts	Material	Plating (Micro-inch)
Hex Nut	Stainless Steel	Passivated
Lock Washer	Stainless Steel	Passivated
Gasket	Silicone	
Contact Pin	Beryllium Copper	Gold 4 Over Nickel-Phosphorus Alloy 80 Over Copper 20
Insulator	Teflon	
Body	Stainless Steel	Passivated

This part number complies with RoHS.

Notice: JYEBAO reserves the right to make modifications deemed appropriate.

ADS-A8J3-BFA		SMA Jack To BMA Plug Bulkhead 18GHz VSWR 1.15	
Interface		SMA	BMA
Standard		MIL-STD-348B	MIL-STD-348B
Mechanically compatible with		2.92 & 3.5	
Electrical Data			
Impedance		50Ω	
Frequency Range		DC To 18GHz	
VSWR		≤ 1.15 (DC To 18GHz)	
Insertion Loss		≤ 0.05 x √f(GHz) dB	
Insulation Resistance		≥ 5000MΩ	
Dielectric Withstanding Voltage (at sea level)		1500 V rms	
Working Voltage (at sea level)		1000 V rms	
Mechanical Data			
		SMA	BMA
Recommended Coupling Nut Torque		7 to 9.5 in-lbs	NA
Coupling Proof Torque		15 in-lbs	NA
Contact Captivation-axial		≥ 6.1 lbs	≥ 6.1 lbs
Durability (mating)		≥ 500	≥ 1000
Engagement Force		NA	≤ 3 lbs
Disengagement Force		NA	≤ 1.5 lbs
Environmental Data			
Temperature Range		-65°C to +165°C	
Thermal Shock		MIL-STD-202, Method 107, Condition B	
Moisture Resistance		MIL-STD-202, Method 206	
Corrosion		MIL-STD-202, Method 101, Condition B	
RoHS		Compliant	

Notice: JYEBAO reserves the right to make modifications deemed appropriate.