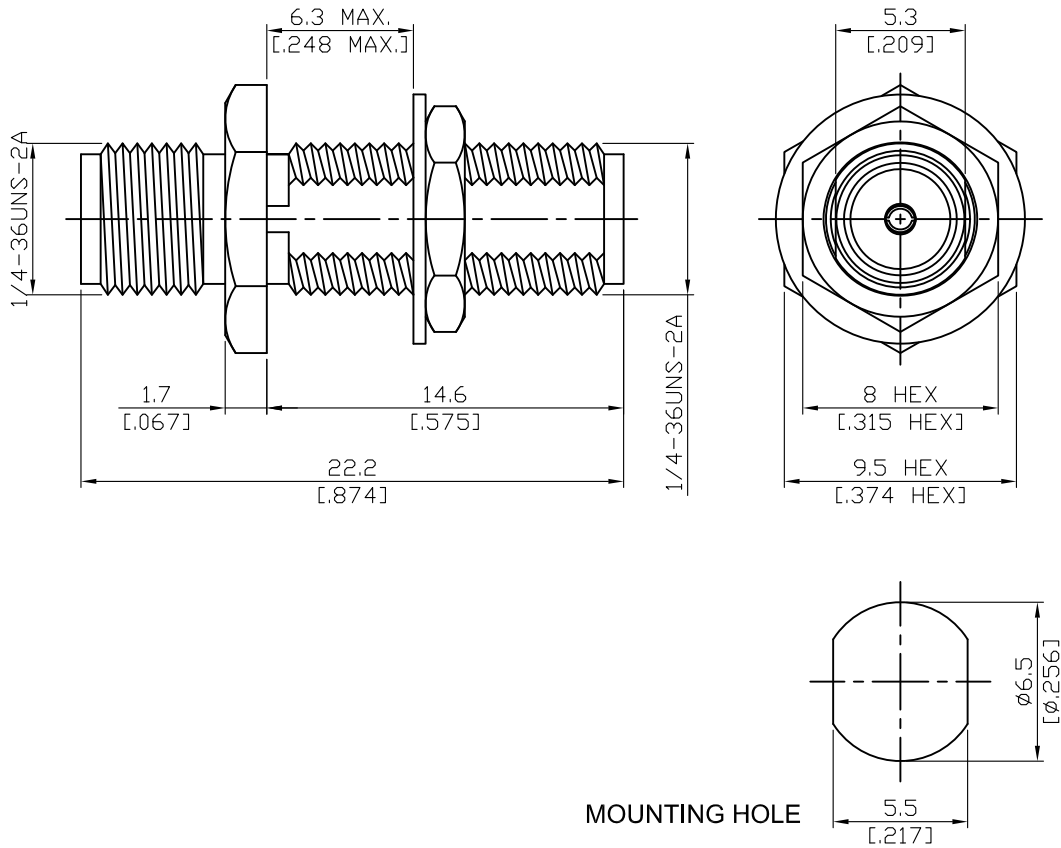


ADS-A8A8-BF-27-1.2	SMA Jack To SMA Jack Bulkhead 27GHz VSWR 1.2	50Ω
--------------------	---	-----



Parts	Material	Plating ( Micro-inch )
Hex Nut	Stainless Steel	Passivated
Lock Washer	Stainless Steel	Passivated
Contact Pin	Beryllium Copper	Gold 4 Over Nickel-Phosphorus Alloy 80 Over Copper 20
Insulator	Teflon	
Body	Stainless Steel	Passivated

Weight: 3.78g	
---------------	--

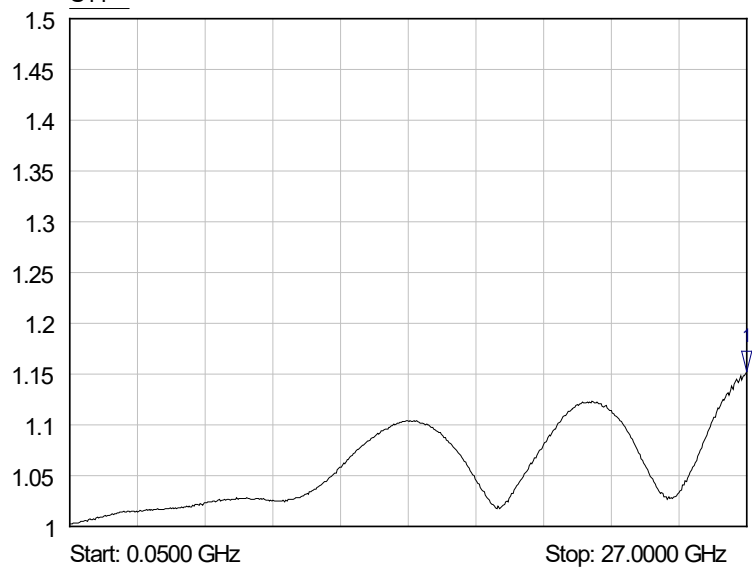
This part number complies with RoHS.

Notice: JYEBAO reserves the right to make modifications deemed appropriate.

ADS-A8A8-BF-27-1.2	SMA Jack To SMA Jack Bulkhead 27GHz VSWR 1.2
<div data-bbox="129 342 531 394" style="border: 1px solid black; padding: 2px;">Interface</div> <p data-bbox="129 405 997 488">Standard MIL-STD-348B Mechanically compatible with 2.92 &amp; 3.5</p>	
<div data-bbox="129 602 531 654" style="border: 1px solid black; padding: 2px;">Electrical Data</div> <p data-bbox="129 663 1109 981">Impedance 50Ω Frequency Range DC To 27GHz VSWR ≤ 1.2 (DC To 27GHz) Insertion Loss ≤ 0.04 x √f(GHz) dB Insulation Resistance ≥ 5000MΩ Dielectric Withstanding Voltage (at sea level) 1500 V rms Working Voltage (at sea level) 500 V rms</p>	
<div data-bbox="129 1102 531 1153" style="border: 1px solid black; padding: 2px;">Mechanical Data</div> <p data-bbox="129 1162 1007 1339">Recommended Coupling Nut Torque 7 to 9.5 in-lbs Coupling Proof Torque 15 in-lbs Contact Captivation-axial ≥ 6.1 lbs Durability (mating) ≥ 500</p>	
<div data-bbox="129 1503 531 1554" style="border: 1px solid black; padding: 2px;">Environmental Data</div> <p data-bbox="129 1563 1364 1787">Temperature Range -65°C to +165°C Thermal Shock MIL-STD-202, Method 107, Condition B Moisture Resistance MIL-STD-202, Method 206 Corrosion MIL-STD-202, Method 101, Condition B RoHS Compliant</p>	

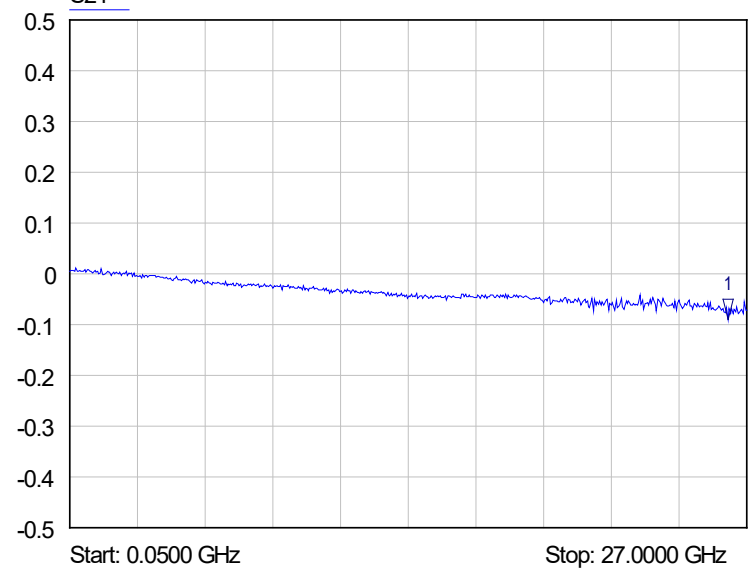
# ADS-A8A8-BF-27-1.2

SoftPlot Measurement Presentation  
VSWR S11



1 S11  
▽ 27.0000 GHz  
1.15 VSWR

SoftPlot Measurement Presentation  
dB S21



1 S21  
▽ 26.2500 GHz  
-0.09 dB