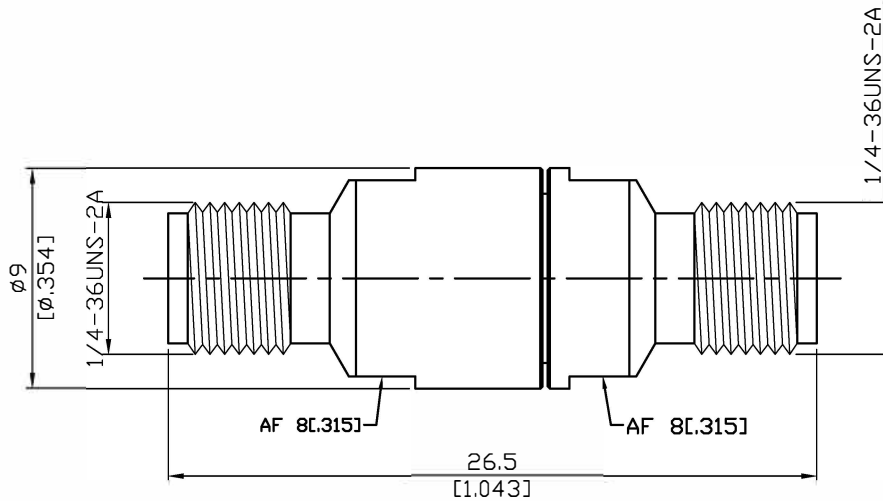


ADS-A8A8-27-1.1

SMA Jack to SMA Jack
27GHz VSWR 1.1

50Ω



Parts	Material	Plating (Micro-inch)
Contact Pin	Beryllium Copper	Gold 4 Over Nickel-Phosphorus Alloy 80 Over Copper 20
Insulator	Teflon	
Body	Stainless Steel	Passivated

This part number complies with RoHS.

Notice: JYEBAO reserves the right to make modifications deemed appropriate.

ADS-A8A8-27-1.1	SMA Jack to SMA Jack 27GHz VSWR1.1																
<table border="0"> <tr> <td colspan="2" data-bbox="129 342 531 392">Interface</td> </tr> <tr> <td data-bbox="129 398 774 436">Standard</td> <td data-bbox="774 398 1481 436">MIL-STD-348B</td> </tr> <tr> <td data-bbox="129 443 774 481">Mechanically compatible with</td> <td data-bbox="774 443 1481 481">2.92 & 3.5</td> </tr> </table>		Interface		Standard	MIL-STD-348B	Mechanically compatible with	2.92 & 3.5										
Interface																	
Standard	MIL-STD-348B																
Mechanically compatible with	2.92 & 3.5																
<table border="0"> <tr> <td colspan="2" data-bbox="129 604 531 654">Electrical Data</td> </tr> <tr> <td data-bbox="129 660 774 698">Impedance</td> <td data-bbox="774 660 1481 698">50Ω</td> </tr> <tr> <td data-bbox="129 705 774 743">Frequency Range</td> <td data-bbox="774 705 1481 743">DC To 27GHz</td> </tr> <tr> <td data-bbox="129 750 774 788">VSWR</td> <td data-bbox="774 750 1481 788">≤ 1.1 (DC To 27GHz)</td> </tr> <tr> <td data-bbox="129 795 774 833">Insertion Loss</td> <td data-bbox="774 795 1481 833">≤ 0.04 x √f(GHz) dB</td> </tr> <tr> <td data-bbox="129 840 774 878">Insulation Resistance</td> <td data-bbox="774 840 1481 878">≥ 5000MΩ</td> </tr> <tr> <td data-bbox="129 884 774 922">Dielectric Withstanding Voltage (at sea level)</td> <td data-bbox="774 884 1481 922">1500 V rms</td> </tr> <tr> <td data-bbox="129 929 774 967">Working Voltage (at sea level)</td> <td data-bbox="774 929 1481 967">500 V rms</td> </tr> </table>		Electrical Data		Impedance	50Ω	Frequency Range	DC To 27GHz	VSWR	≤ 1.1 (DC To 27GHz)	Insertion Loss	≤ 0.04 x √f(GHz) dB	Insulation Resistance	≥ 5000MΩ	Dielectric Withstanding Voltage (at sea level)	1500 V rms	Working Voltage (at sea level)	500 V rms
Electrical Data																	
Impedance	50Ω																
Frequency Range	DC To 27GHz																
VSWR	≤ 1.1 (DC To 27GHz)																
Insertion Loss	≤ 0.04 x √f(GHz) dB																
Insulation Resistance	≥ 5000MΩ																
Dielectric Withstanding Voltage (at sea level)	1500 V rms																
Working Voltage (at sea level)	500 V rms																
<table border="0"> <tr> <td colspan="2" data-bbox="129 1102 531 1151">Mechanical Data</td> </tr> <tr> <td data-bbox="129 1158 774 1196">Recommended Coupling Nut Torque</td> <td data-bbox="774 1158 1481 1196">7 to 9.5 in-lbs</td> </tr> <tr> <td data-bbox="129 1202 774 1240">Coupling Proof Torque</td> <td data-bbox="774 1202 1481 1240">15 in-lbs</td> </tr> <tr> <td data-bbox="129 1247 774 1285">Contact Captivation-axial</td> <td data-bbox="774 1247 1481 1285">≥ 6.1 lbs</td> </tr> <tr> <td data-bbox="129 1292 774 1330">Durability (mating)</td> <td data-bbox="774 1292 1481 1330">≥ 500</td> </tr> </table>		Mechanical Data		Recommended Coupling Nut Torque	7 to 9.5 in-lbs	Coupling Proof Torque	15 in-lbs	Contact Captivation-axial	≥ 6.1 lbs	Durability (mating)	≥ 500						
Mechanical Data																	
Recommended Coupling Nut Torque	7 to 9.5 in-lbs																
Coupling Proof Torque	15 in-lbs																
Contact Captivation-axial	≥ 6.1 lbs																
Durability (mating)	≥ 500																
<table border="0"> <tr> <td colspan="2" data-bbox="129 1503 531 1552">Environmental Data</td> </tr> <tr> <td data-bbox="129 1559 774 1597">Temperature Range</td> <td data-bbox="774 1559 1481 1597">-65°C to +165°C</td> </tr> <tr> <td data-bbox="129 1603 774 1641">Thermal Shock</td> <td data-bbox="774 1603 1481 1641">MIL-STD-202, Method 107, Condition B</td> </tr> <tr> <td data-bbox="129 1648 774 1686">Moisture Resistance</td> <td data-bbox="774 1648 1481 1686">MIL-STD-202, Method 206</td> </tr> <tr> <td data-bbox="129 1693 774 1731">Corrosion</td> <td data-bbox="774 1693 1481 1731">MIL-STD-202, Method 101, Condition B</td> </tr> <tr> <td data-bbox="129 1738 774 1776">RoHS</td> <td data-bbox="774 1738 1481 1776">Compliant</td> </tr> </table>		Environmental Data		Temperature Range	-65°C to +165°C	Thermal Shock	MIL-STD-202, Method 107, Condition B	Moisture Resistance	MIL-STD-202, Method 206	Corrosion	MIL-STD-202, Method 101, Condition B	RoHS	Compliant				
Environmental Data																	
Temperature Range	-65°C to +165°C																
Thermal Shock	MIL-STD-202, Method 107, Condition B																
Moisture Resistance	MIL-STD-202, Method 206																
Corrosion	MIL-STD-202, Method 101, Condition B																
RoHS	Compliant																

ADS-A8A8-27-1.1

