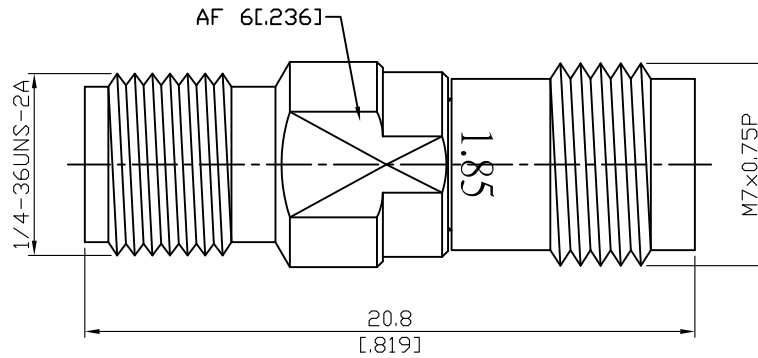


ADS-A8-1.85/8-27-1.2

SMA Jack To 1.85mm Jack
27GHz VSWR 1.2

50Ω



Parts	Material	Plating (Micro-inch)
Contact Pin	Beryllium Copper	Gold 4 Over Nickel-Phosphorus Alloy 80 Over Copper 20
Insulator (1.85)	PPO	
Insulator (SMA)	Teflon	
Body	Stainless Steel	Passivated

--	--

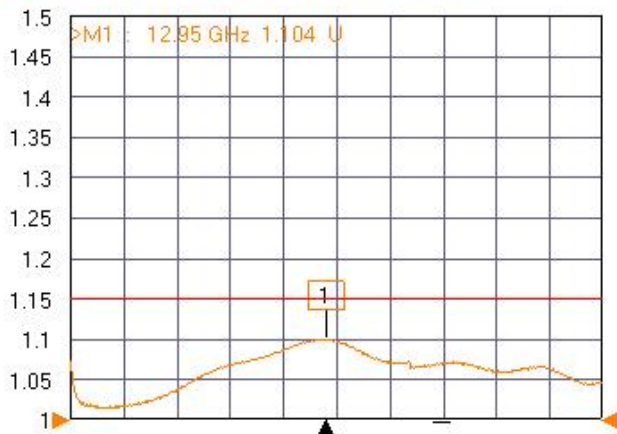
This part number complies with RoHS.

Notice: JYEBAO reserves the right to make modifications deemed appropriate.

ADS-A8-1.85/8-27-1.2	SMA Jack To 1.85mm Jack 27GHz VSWR 1.2											
Interface Standard Mechanically compatible with	<table border="1"> <thead> <tr> <th>1.85</th> <th>SMA</th> </tr> </thead> <tbody> <tr> <td>IEEE287; IEC61169-32</td> <td>MIL-STD-348B</td> </tr> <tr> <td>2.4</td> <td>2.92 & 3.5</td> </tr> </tbody> </table>	1.85	SMA	IEEE287; IEC61169-32	MIL-STD-348B	2.4	2.92 & 3.5					
1.85	SMA											
IEEE287; IEC61169-32	MIL-STD-348B											
2.4	2.92 & 3.5											
Electrical Data Impedance Frequency Range VSWR Insertion Loss Insulation Resistance Dielectric Withstanding Voltage (at sea level) Working Voltage (at sea level)	<table border="1"> <tbody> <tr> <td>50Ω</td> </tr> <tr> <td>DC To 27GHz</td> </tr> <tr> <td>≤ 1.2 (DC To 27GHz)</td> </tr> <tr> <td>≤ 0.05 x √f(GHz) dB</td> </tr> <tr> <td>≥ 5000MΩ</td> </tr> <tr> <td>500 V rms</td> </tr> <tr> <td>150 V rms</td> </tr> </tbody> </table>		50Ω	DC To 27GHz	≤ 1.2 (DC To 27GHz)	≤ 0.05 x √f(GHz) dB	≥ 5000MΩ	500 V rms	150 V rms			
50Ω												
DC To 27GHz												
≤ 1.2 (DC To 27GHz)												
≤ 0.05 x √f(GHz) dB												
≥ 5000MΩ												
500 V rms												
150 V rms												
Mechanical Data Recommended Coupling Nut Torque Coupling Proof Torque Contact Captivation-axial Durability (mating)	<table border="1"> <thead> <tr> <th>1.85</th> <th>SMA</th> </tr> </thead> <tbody> <tr> <td>7.08 to 9.74 inch lbs</td> <td>7 to 9.5 in-lbs</td> </tr> <tr> <td>15 in-lbs</td> <td>15 in-lbs</td> </tr> <tr> <td>≥ 4.5 lbs</td> <td>≥ 6.1 lbs</td> </tr> <tr> <td>≥ 500</td> <td>≥ 500</td> </tr> </tbody> </table>		1.85	SMA	7.08 to 9.74 inch lbs	7 to 9.5 in-lbs	15 in-lbs	15 in-lbs	≥ 4.5 lbs	≥ 6.1 lbs	≥ 500	≥ 500
1.85	SMA											
7.08 to 9.74 inch lbs	7 to 9.5 in-lbs											
15 in-lbs	15 in-lbs											
≥ 4.5 lbs	≥ 6.1 lbs											
≥ 500	≥ 500											
Environmental Data Temperature Range Thermal Shock Moisture Resistance Corrosion RoHS	<table border="1"> <tbody> <tr> <td>-55°C to +105°C</td> </tr> <tr> <td>MIL-STD-202, Method 107, Condition B</td> </tr> <tr> <td>MIL-STD-202, Method 206</td> </tr> <tr> <td>MIL-STD-202, Method 101, Condition B</td> </tr> <tr> <td>Compliant</td> </tr> </tbody> </table>		-55°C to +105°C	MIL-STD-202, Method 107, Condition B	MIL-STD-202, Method 206	MIL-STD-202, Method 101, Condition B	Compliant					
-55°C to +105°C												
MIL-STD-202, Method 107, Condition B												
MIL-STD-202, Method 206												
MIL-STD-202, Method 101, Condition B												
Compliant												

ADS-A8-1.85/8-27-1.2

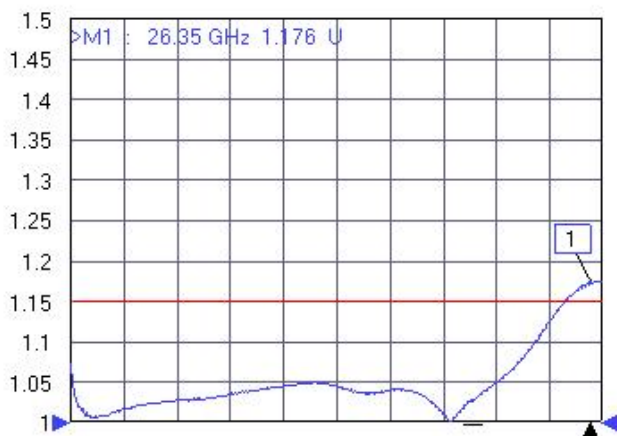
Tr1 S11 Refl SWR RefLvl: 1 U Res: 50 mU/Div



Tr2 S12 Trans LogM RefLvl: -0.2 dB Res: 0.1 dB/Div



Tr3 S22 Refl SWR RefLvl: 1 U Res: 50 mU/Div



Tr4 S21 Trans LogM RefLvl: -0.2 dB Res: 0.1 dB/Div



Ch1 TR Start 50 MHz Stop 27 GHz IFBW 1 kHz Avg OFF Measuring State CORR