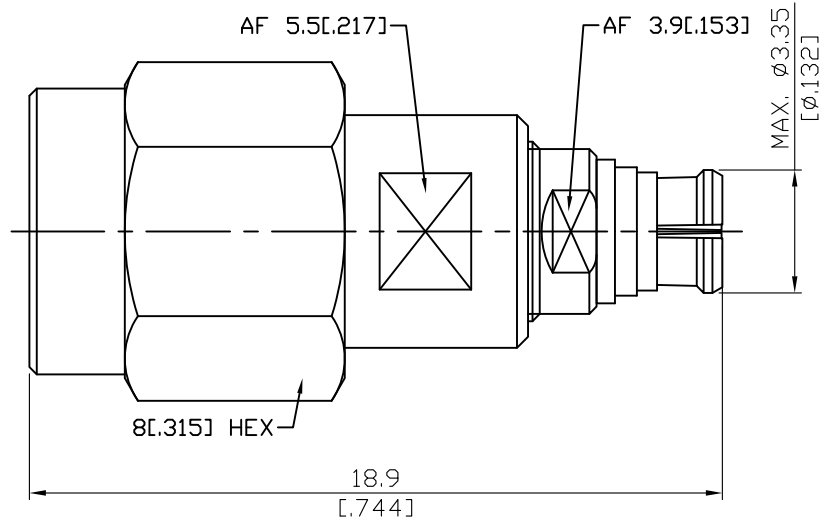


ADS-A3P8-27-1.15

SMA Plug To SMP Jack
27GHz VSWR 1.15

50Ω



Parts	Material	Plating (Micro-inch)
Retainer Ring	Brass	Tin-Zinc-Copper-Alloy 100 Over Copper 50
Gasket	Silicone	
Ring	Brass	Gold 4 Over Nickel-Phosphorus Alloy 80 Over Copper 20
Contact Pin	Beryllium Copper	Gold 4 Over Nickel-Phosphorus Alloy 80 Over Copper 20
Insulator (SMA)	Teflon	
Insulator (SMP)	PPO	
Coupling Nut	Stainless Steel	Passivated
Body(SMA)	Stainless Steel	Passivated
Body(SMP)	Beryllium Copper	Gold 4 Over Nickel-Phosphorus Alloy 80 Over Copper 20

This part number complies with RoHS.

Notice: JYEBAO reserves the right to make modifications deemed appropriate.

ADS-A3P8-27-1.15	SMA Plug To SMP Jack 27GHz VSWR 1.15			
Interface Standard Mechanically compatible with		SMA MIL-STD-348B 2.92 & 3.5	SMP MIL-STD-348B	
Electrical Data Impedance Frequency Range VSWR Insertion Loss Insulation Resistance Dielectric Withstanding Voltage (at sea level) Working Voltage (at sea level)	50Ω DC To 27GHz ≤ 1.15 (DC To 27GHz) ≤ 0.06 x √f(GHz) dB ≥ 5000MΩ 500 V rms 335 V rms			
Mechanical Data Recommended Coupling Nut Torque Coupling Proof Torque Coupling Nut Retention Force Contact Captivation-axial Durability (mating) Engagement Force Disengagement Force Axial Misalignment Radial Misalignment		SMA Full detent 7 to 9.5 in-lbs 15 in-lbs ≥ 60.7 lbs ≥ 6.1 lbs ≥ 500 NA NA NA NA	SMP Limited detent Smooth bore Catchers Mit NA NA NA NA ≥ 100 ≤ 15 lbs ≥ 5 lbs +0.00/-0.25(+.000/-0.010) +/-0.25(0.010)	
Environmental Data Temperature Range Thermal Shock Moisture Resistance Corrosion RoHS	-55°C to +105°C MIL-STD-202, Method 107, Condition B MIL-STD-202, Method 206 MIL-STD-202, Method 101, Condition B Compliant			