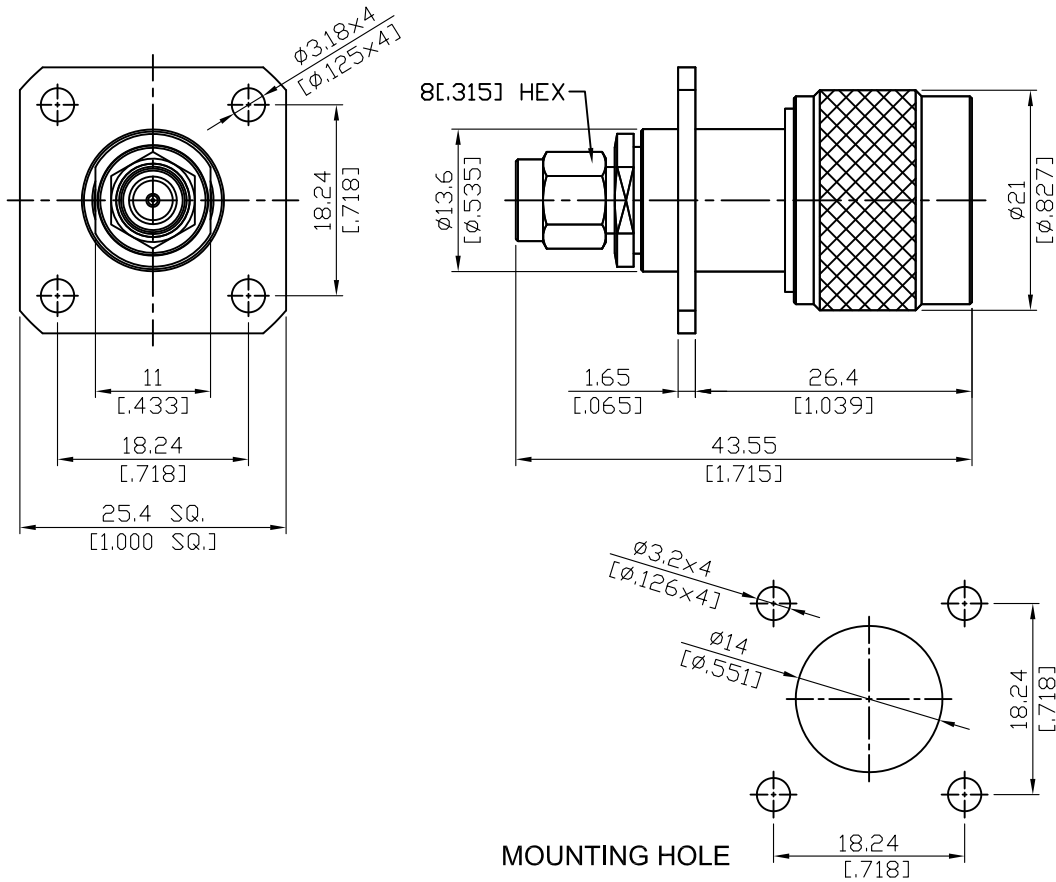


ADS-A3N3-P4-18-1.15

SMA Plug To N Plug 4 Hole Flange
18GHz VSWR 1.15

50Ω



Parts	Material	Plating (Micro-inch)
Retainer Ring	Brass	Tin-Zinc-Copper-Alloy 100 Over Copper 50
Insulator (N)	PPO	
Contact Pin	Beryllium Copper	Gold 4 Over Nickel-Phosphorus Alloy 80 Over Copper 20
Retainer Ring	Beryllium Copper	Tin-Zinc-Copper-Alloy 100 Over Copper 50
Gasket	Silicone	
Insulator (SMA)	Teflon	
Body	Stainless Steel	Passivated
Coupling Nut	Stainless Steel	Passivated

This part number complies with RoHS.

Notice: JYEBAO reserves the right to make modifications deemed appropriate.

ADS-A3N3-P4-18-1.15	SMA Plug To N Plug 4 Hole Flange 18GHz VSWR 1.15																			
<p>Interface</p> <p>Standard</p> <p>Mechanically compatible with</p>	<table border="1"> <thead> <tr> <th>SMA</th> <th>N</th> </tr> </thead> <tbody> <tr> <td>MIL-STD-348B</td> <td>MIL-STD-348B</td> </tr> <tr> <td>2.92 & 3.5</td> <td></td> </tr> </tbody> </table>	SMA	N	MIL-STD-348B	MIL-STD-348B	2.92 & 3.5														
SMA	N																			
MIL-STD-348B	MIL-STD-348B																			
2.92 & 3.5																				
<p>Electrical Data</p> <p>Impedance 50Ω</p> <p>Frequency Range DC To 18GHz</p> <p>VSWR ≤ 1.15 (DC To 18GHz)</p> <p>Insertion Loss ≤ 0.04 x √f(GHz) dB</p> <p>Insulation Resistance ≥ 5000MΩ</p> <p>Dielectric Withstanding Voltage (at sea level) 1500 V rms</p> <p>Working Voltage (at sea level) 500 V rms</p>																				
<p>Mechanical Data</p> <table border="1"> <thead> <tr> <th></th> <th>SMA</th> <th>N</th> </tr> </thead> <tbody> <tr> <td>Recommended Coupling Nut Torque</td> <td>7 to 9.5 in-lbs</td> <td>6 to 10 in-lbs</td> </tr> <tr> <td>Coupling Proof Torque</td> <td>15 in-lbs</td> <td>15 in-lbs</td> </tr> <tr> <td>Coupling Nut Retention Force</td> <td>≥ 60.7 lbs</td> <td>≥ 101.2 lbs</td> </tr> <tr> <td>Contact Captivation-axial</td> <td>≥ 6.1 lbs</td> <td>≥ 6.3 lbs</td> </tr> <tr> <td>Durability (mating)</td> <td>≥ 500</td> <td>≥ 500</td> </tr> </tbody> </table>				SMA	N	Recommended Coupling Nut Torque	7 to 9.5 in-lbs	6 to 10 in-lbs	Coupling Proof Torque	15 in-lbs	15 in-lbs	Coupling Nut Retention Force	≥ 60.7 lbs	≥ 101.2 lbs	Contact Captivation-axial	≥ 6.1 lbs	≥ 6.3 lbs	Durability (mating)	≥ 500	≥ 500
	SMA	N																		
Recommended Coupling Nut Torque	7 to 9.5 in-lbs	6 to 10 in-lbs																		
Coupling Proof Torque	15 in-lbs	15 in-lbs																		
Coupling Nut Retention Force	≥ 60.7 lbs	≥ 101.2 lbs																		
Contact Captivation-axial	≥ 6.1 lbs	≥ 6.3 lbs																		
Durability (mating)	≥ 500	≥ 500																		
<p>Environmental Data</p> <p>Temperature Range -55°C to +105°C</p> <p>Thermal Shock MIL-STD-202, Method 107, Condition B</p> <p>Moisture Resistance MIL-STD-202, Method 206</p> <p>Corrosion MIL-STD-202, Method 101, Condition B</p> <p>RoHS Compliant</p>																				

Notice: JYEBAO reserves the right to make modifications deemed appropriate.

ADS-A3N3-P4-18-1.15

