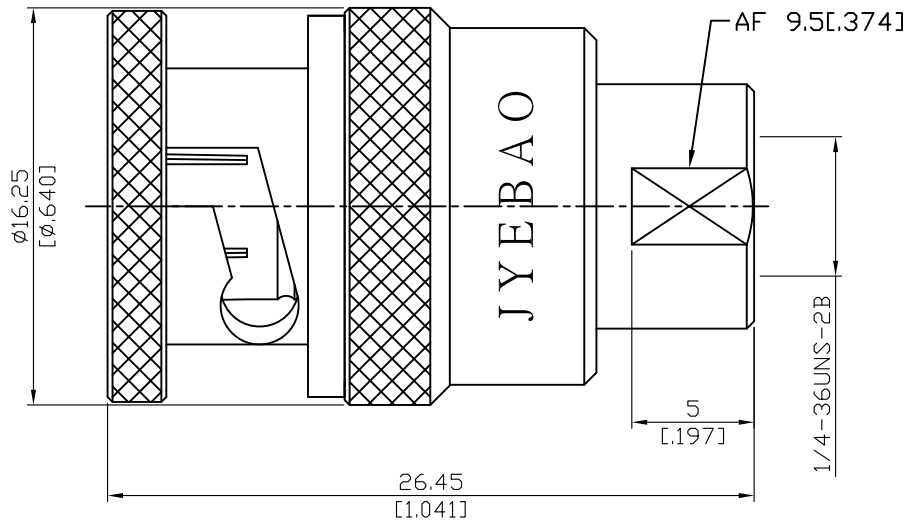


ADS-A3B3-FL

SMA Plug to BNC Plug
4GHz VSWR 1.15

50Ω



Parts	Material	Plating (Micro-inch)
Coupling Nut	Stainless Steel	Passivated
Body	Stainless Steel	Passivated
Insulator	Teflon	
Contact Pin	Brass	Tin-Zinc-Copper-Alloy 100 Over Copper 50
Washer	Brass	Gold 4 Over Nickel-Phosphorus Alloy 80 Over Copper 20
Gasket	Silicone	
Spring	SK5	Gold 4 Over Nickel-Phosphorus Alloy 80 Over Copper 20

This part number complies with RoHS.

Notice: JYEBAO reserves the right to make modifications deemed appropriate.

ADS-A3B3-FL	SMA Plug To BNC Plug 4GHz VSWR 1.15															
<div style="border: 1px solid black; padding: 2px; margin-bottom: 5px;">Interface</div> Standard Mechanically compatible with	<table border="1" style="width: 100%; border-collapse: collapse;"> <thead> <tr> <th style="width: 50%;">SMA</th> <th style="width: 50%;">BNC</th> </tr> </thead> <tbody> <tr> <td>MIL-STD-348B</td> <td>MIL-STD-348B</td> </tr> <tr> <td>2.92 & 3.5</td> <td></td> </tr> </tbody> </table>	SMA	BNC	MIL-STD-348B	MIL-STD-348B	2.92 & 3.5										
SMA	BNC															
MIL-STD-348B	MIL-STD-348B															
2.92 & 3.5																
<div style="border: 1px solid black; padding: 2px; margin-bottom: 5px;">Electrical Data</div> Impedance Frequency Range VSWR Insertion Loss Insulation Resistance Dielectric Withstanding Voltage (at sea level) Working Voltage (at sea level)	<table style="width: 100%;"> <tbody> <tr> <td style="width: 50%;">Impedance</td> <td style="width: 50%;">50Ω</td> </tr> <tr> <td>Frequency Range</td> <td>DC To 4GHz</td> </tr> <tr> <td>VSWR</td> <td>≤ 1.15 (DC To 4GHz)</td> </tr> <tr> <td>Insertion Loss</td> <td>≤ 0.05 x √f(GHz) dB</td> </tr> <tr> <td>Insulation Resistance</td> <td>≥ 5000MΩ</td> </tr> <tr> <td>Dielectric Withstanding Voltage (at sea level)</td> <td>1500 V rms</td> </tr> <tr> <td>Working Voltage (at sea level)</td> <td>500 V rms</td> </tr> </tbody> </table>		Impedance	50Ω	Frequency Range	DC To 4GHz	VSWR	≤ 1.15 (DC To 4GHz)	Insertion Loss	≤ 0.05 x √f(GHz) dB	Insulation Resistance	≥ 5000MΩ	Dielectric Withstanding Voltage (at sea level)	1500 V rms	Working Voltage (at sea level)	500 V rms
Impedance	50Ω															
Frequency Range	DC To 4GHz															
VSWR	≤ 1.15 (DC To 4GHz)															
Insertion Loss	≤ 0.05 x √f(GHz) dB															
Insulation Resistance	≥ 5000MΩ															
Dielectric Withstanding Voltage (at sea level)	1500 V rms															
Working Voltage (at sea level)	500 V rms															
<div style="border: 1px solid black; padding: 2px; margin-bottom: 5px;">Mechanical Date</div> Recommended Coupling Nut Torque Coupling Proof Torque Coupling Nut Retention Force Contact Captivation-axial Durability (mating)	<table border="1" style="width: 100%; border-collapse: collapse;"> <thead> <tr> <th style="width: 50%;">SMA</th> <th style="width: 50%;">BNC</th> </tr> </thead> <tbody> <tr> <td>7 to 9.5 in-lbs</td> <td>0.6 to 2.5 in-lbs</td> </tr> <tr> <td>15 in-lbs</td> <td>NA</td> </tr> <tr> <td>NA</td> <td>≥ 101.2 lbs</td> </tr> <tr> <td>≥ 6.1 lbs</td> <td>≥ 6.1 lbs</td> </tr> <tr> <td>≥ 100</td> <td>≥ 500</td> </tr> </tbody> </table>		SMA	BNC	7 to 9.5 in-lbs	0.6 to 2.5 in-lbs	15 in-lbs	NA	NA	≥ 101.2 lbs	≥ 6.1 lbs	≥ 6.1 lbs	≥ 100	≥ 500		
SMA	BNC															
7 to 9.5 in-lbs	0.6 to 2.5 in-lbs															
15 in-lbs	NA															
NA	≥ 101.2 lbs															
≥ 6.1 lbs	≥ 6.1 lbs															
≥ 100	≥ 500															
<div style="border: 1px solid black; padding: 2px; margin-bottom: 5px;">Environmental Data</div> Temperature Range Thermal Shock Moisture Resistance Corrosion RoHS	<table style="width: 100%;"> <tbody> <tr> <td style="width: 50%;">Temperature Range</td> <td style="width: 50%;">-65°C to +165°C</td> </tr> <tr> <td>Thermal Shock</td> <td>MIL-STD-202, Method</td> </tr> <tr> <td>Moisture Resistance</td> <td>MIL-STD-202, Method</td> </tr> <tr> <td>Corrosion</td> <td>MIL-STD-202, Method</td> </tr> <tr> <td>RoHS</td> <td>Compliant</td> </tr> </tbody> </table>		Temperature Range	-65°C to +165°C	Thermal Shock	MIL-STD-202, Method	Moisture Resistance	MIL-STD-202, Method	Corrosion	MIL-STD-202, Method	RoHS	Compliant				
Temperature Range	-65°C to +165°C															
Thermal Shock	MIL-STD-202, Method															
Moisture Resistance	MIL-STD-202, Method															
Corrosion	MIL-STD-202, Method															
RoHS	Compliant															

Notice: JYEBAO reserves the right to make modifications deemed appropriate.

ADS-A3B3-FL

