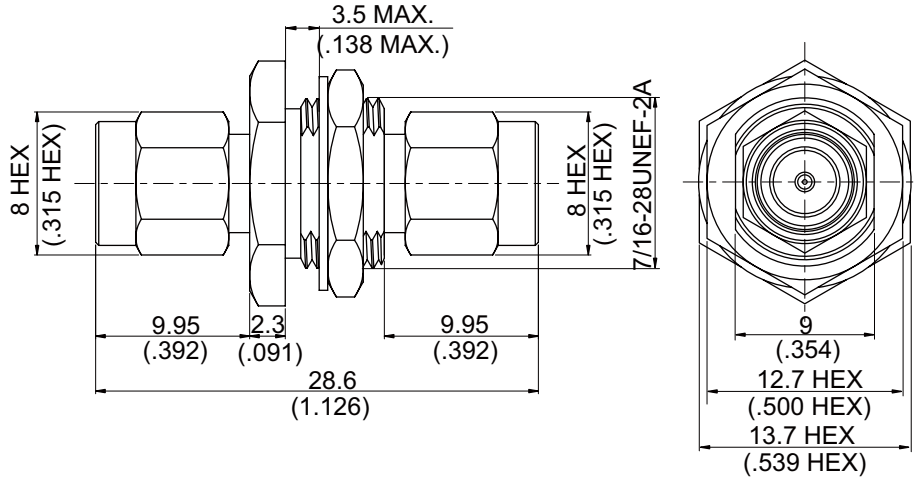


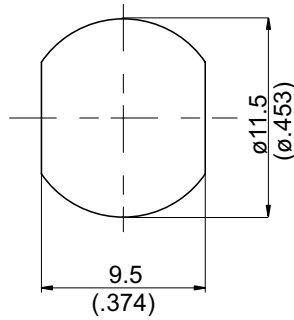
ADS-A3A3-BF-18

Stainless SMA Plug To SMA Plug Bulkhead
18GHz VSWR 1.2

50Ω



MOUNTING HOLE:



| Parts | Material | Plating (Micro-inch) |
|--------------|------------------|---|
| Washer | Stainless Steel | Passivated |
| Nut Hex | Stainless Steel | Passivated |
| Renber Ring | Beryllium Copper | Tin-Zinc-Copper-Alloy 100 Over Copper 50 |
| Gasket | Silicone | |
| Contact Pin | Brass | Gold 4 Over Nickel-Phosphorus Alloy 80 Over Copper 20 |
| Insulator | Teflon | |
| Body | Stainless Steel | Passivated |
| Coupling Nut | Stainless Steel | Passivated |

Weight: 11.8 g

This part number complies with RoHS.

Notice: JYEBAO reserves the right to make modifications deemed appropriate.

| ADS-A3A3-BF-18 | Stainless SMA Plug To SMA Plug Bulkhead 18GHz VSWR 1.2 |
|---|---|
| <div data-bbox="129 344 531 394" style="border: 1px solid black; padding: 2px;">Interface</div> <p data-bbox="129 405 997 488">Standard MIL-STD-348B Mechanically compatible with 2.92 & 3.5</p> | |
| <div data-bbox="129 607 531 656" style="border: 1px solid black; padding: 2px;">Electrical Data</div> <p data-bbox="129 667 1109 987">Impedance 50Ω Frequency Range DC To 18GHz VSWR ≤ 1.2 (DC To 18GHz) Insertion Loss ≤ 0.04 x √f(GHz) dB Insulation Resistance ≥ 5000MΩ Dielectric Withstanding Voltage (at sea level) 1500 V rms Working Voltage (at sea level) 500 V rms</p> | |
| <div data-bbox="129 1106 531 1155" style="border: 1px solid black; padding: 2px;">Mechanical Data</div> <p data-bbox="129 1167 1007 1391">Recommended Coupling Nut Torque 7 to 9.5 in-lbs Coupling Proof Torque 15 in-lbs Coupling Nut Retention Force ≥ 60.7 lbs Contact Captivation-axial ≥ 6.1 lbs Durability (mating) ≥ 500</p> | |
| <div data-bbox="129 1507 531 1556" style="border: 1px solid black; padding: 2px;">Environmental Data</div> <p data-bbox="129 1568 1364 1792">Temperature Range -65°C to +165°C Thermal Shock MIL-STD-202, Method 107, Condition B Moisture Resistance MIL-STD-202, Method 206 Corrosion MIL-STD-202, Method 101, Condition B RoHS Compliant</p> | |

ADS-A3A3-BF-18

