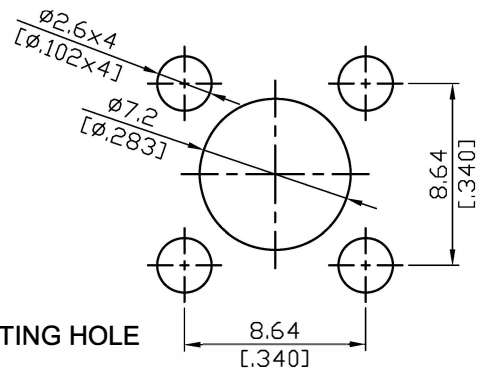
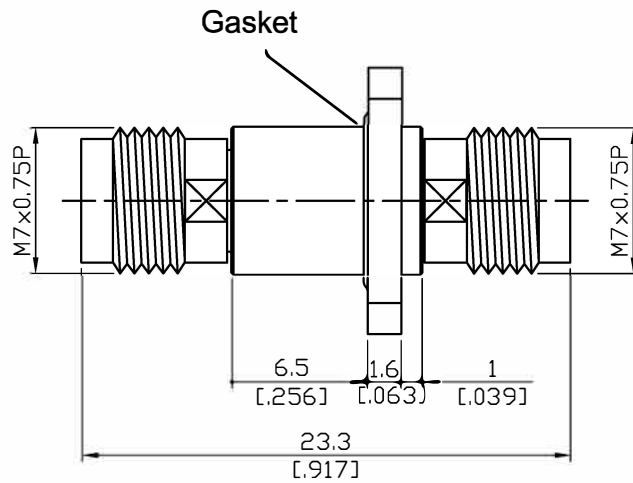
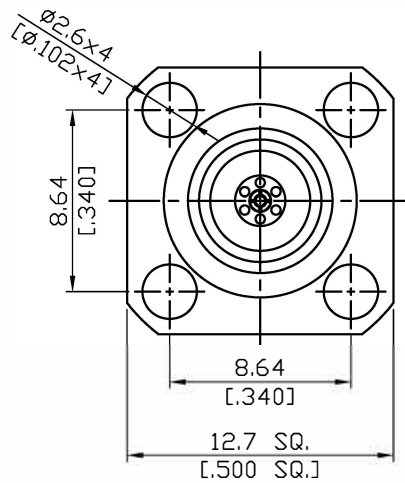


ADS-24/8-24/8-P4-GB-1.25

Hermetic 1×10^{-8} cc/sec helium at 1atm
2.4mm jack to 2.4mm jack 4 hole flange; 50GHz VSWR 1.25

50Ω



Hermiticity of 1×10^{-8} cc/sec Of Helium At 1atm

Parts	Material	Plating (Micro-inch)
Flange Body	Stainless Steel	Gold 50 Over Nickel 50
Connector Body	Stainless Steel	Passivated
Insulator	PEI	
Contact Pin	Beryllium Copper	Gold 4 Over Nickel-Phosphorus Alloy 80 Over Copper 20
Glass Seal	Kover+Glass	Gold 4 Over Nickel-Phosphorus Alloy 80 Over Copper 20
Gasket	Silicone	

This part number complies with RoHS.

Notice: JYEBAO reserves the right to make modifications deemed appropriate.

ADS-24/8-24/8-P4-GB-1.25	Hermetic 1*10 ⁻⁸ cc/sec helium at 1atm 2.4mm jack to 2.4mm jack 4 hole flange; 50GHz VSWR 1.25																
<table border="0"> <tr> <td colspan="2" data-bbox="129 342 528 392">Interface</td> </tr> <tr> <td data-bbox="129 400 791 434">Standard</td> <td data-bbox="791 400 1484 434">MIL-STD-348B</td> </tr> <tr> <td data-bbox="129 450 791 483">Mechanically compatible with</td> <td data-bbox="791 450 1484 483">1.85</td> </tr> </table>		Interface		Standard	MIL-STD-348B	Mechanically compatible with	1.85										
Interface																	
Standard	MIL-STD-348B																
Mechanically compatible with	1.85																
<table border="0"> <tr> <td colspan="2" data-bbox="129 604 528 654">Electrical Data</td> </tr> <tr> <td data-bbox="129 663 791 696">Impedance</td> <td data-bbox="791 663 1484 696">50Ω</td> </tr> <tr> <td data-bbox="129 712 791 745">Frequency Range</td> <td data-bbox="791 712 1484 745">DC to 50GHz</td> </tr> <tr> <td data-bbox="129 761 791 795">VSWR</td> <td data-bbox="791 761 1484 795">≤ 1.25 (DC to 50GHz)</td> </tr> <tr> <td data-bbox="129 810 791 844">Insertion Loss</td> <td data-bbox="791 810 1484 844">≤ 0.08 x √f(GHz) dB</td> </tr> <tr> <td data-bbox="129 860 791 893">Insulation Resistance</td> <td data-bbox="791 860 1484 893">≥ 5000MΩ</td> </tr> <tr> <td data-bbox="129 909 791 943">Dielectric Withstanding Voltage (at sea level)</td> <td data-bbox="791 909 1484 943">500 V rms</td> </tr> <tr> <td data-bbox="129 958 791 992">Working Voltage (at sea level)</td> <td data-bbox="791 958 1484 992">150 V rms</td> </tr> </table>		Electrical Data		Impedance	50Ω	Frequency Range	DC to 50GHz	VSWR	≤ 1.25 (DC to 50GHz)	Insertion Loss	≤ 0.08 x √f(GHz) dB	Insulation Resistance	≥ 5000MΩ	Dielectric Withstanding Voltage (at sea level)	500 V rms	Working Voltage (at sea level)	150 V rms
Electrical Data																	
Impedance	50Ω																
Frequency Range	DC to 50GHz																
VSWR	≤ 1.25 (DC to 50GHz)																
Insertion Loss	≤ 0.08 x √f(GHz) dB																
Insulation Resistance	≥ 5000MΩ																
Dielectric Withstanding Voltage (at sea level)	500 V rms																
Working Voltage (at sea level)	150 V rms																
<table border="0"> <tr> <td colspan="2" data-bbox="129 1102 528 1151">Mechanical Data</td> </tr> <tr> <td data-bbox="129 1160 791 1193">Recommended Coupling Nut Torque</td> <td data-bbox="791 1160 1484 1193">7.08 to 9.74 inch lbs</td> </tr> <tr> <td data-bbox="129 1209 791 1243">Coupling Proof Torque</td> <td data-bbox="791 1209 1484 1243">15 inch lbs</td> </tr> <tr> <td data-bbox="129 1258 791 1292">Contact Captivation-axial</td> <td data-bbox="791 1258 1484 1292">≥ 4.5 lbs</td> </tr> <tr> <td data-bbox="129 1308 791 1341">Durability (mating)</td> <td data-bbox="791 1308 1484 1341">≥ 500</td> </tr> </table>		Mechanical Data		Recommended Coupling Nut Torque	7.08 to 9.74 inch lbs	Coupling Proof Torque	15 inch lbs	Contact Captivation-axial	≥ 4.5 lbs	Durability (mating)	≥ 500						
Mechanical Data																	
Recommended Coupling Nut Torque	7.08 to 9.74 inch lbs																
Coupling Proof Torque	15 inch lbs																
Contact Captivation-axial	≥ 4.5 lbs																
Durability (mating)	≥ 500																
<table border="0"> <tr> <td colspan="2" data-bbox="129 1505 528 1554">Environmental Data</td> </tr> <tr> <td data-bbox="129 1563 791 1597">Temperature Range</td> <td data-bbox="791 1563 1484 1597">-40°C to +165°C</td> </tr> <tr> <td data-bbox="129 1612 791 1646">Thermal Shock</td> <td data-bbox="791 1612 1484 1646">MIL-STD-202, Method 107, Condition B</td> </tr> <tr> <td data-bbox="129 1662 791 1695">Moisture Resistance</td> <td data-bbox="791 1662 1484 1695">MIL-STD-202, Method 206</td> </tr> <tr> <td data-bbox="129 1711 791 1744">Corrosion</td> <td data-bbox="791 1711 1484 1744">MIL-STD-202, Method 101, Condition B</td> </tr> <tr> <td data-bbox="129 1760 791 1794">RoHS</td> <td data-bbox="791 1760 1484 1794">Compliant</td> </tr> </table>		Environmental Data		Temperature Range	-40°C to +165°C	Thermal Shock	MIL-STD-202, Method 107, Condition B	Moisture Resistance	MIL-STD-202, Method 206	Corrosion	MIL-STD-202, Method 101, Condition B	RoHS	Compliant				
Environmental Data																	
Temperature Range	-40°C to +165°C																
Thermal Shock	MIL-STD-202, Method 107, Condition B																
Moisture Resistance	MIL-STD-202, Method 206																
Corrosion	MIL-STD-202, Method 101, Condition B																
RoHS	Compliant																

ADS-24/8-24/8-P4-GB-1.25

