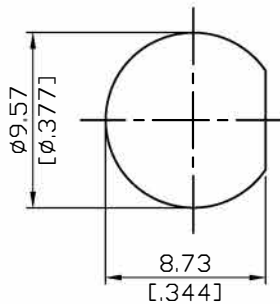
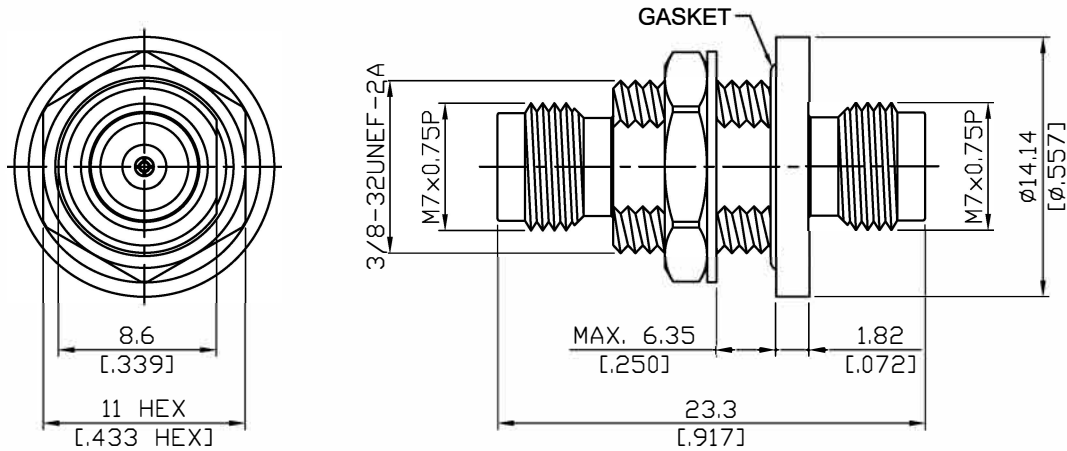


ADS-24/8-24/8-BF-GB-1.25

Hermetic 1×10^{-8} cc/sec of helium at 1atm
2.4mm jack to 2.4mm jack bulkhead; 50GHz VSWR 1.25

50Ω



MOUNTING HOLE

Hermeticity of 1×10^{-8} cc/sec helium at 1 atm

Parts	Material	Plating (Micro-inch)
Body	Stainless Steel	Gold 5 Over Nickel 50
Body	Stainless Steel	Passivated
Insulator	PEI	
Contact Pin	Beryllium Copper	Gold 4 Over Nickel-Phosphorus Alloy 80 Over Copper 20
Glass Seal	Kovar+ Glass	Gold 4 Over Nickel-Phosphorus Alloy 80 Over Copper 20
Gasket	VITON	
Lock Washer	Stainless Steel	Passivated
Hex Nut	Stainless Steel	Passivated

This part number complies with RoHS.

Notice: JYEBAO reserves the right to make modifications deemed appropriate.

ADS-24/8-24/8-BF-GB-1.25	Hermetic 1*10 ⁻⁸ cc/sec of helium at 1atm 2.4mm jack to 2.4mm jack bulkhead; 50GHz VSWR 1.25
--------------------------	--

Interface	
Standard	MIL-STD-348B
Mechanically compatible with	1.85

Electrical Data	
Impedance	50Ω
Frequency Range	DC to 50GHz
VSWR	≤ 1.25 (DC to 50GHz)
Insertion Loss	≤ 0.08 x √f(GHz) dB
Insulation Resistance	≥ 5000MΩ
Dielectric Withstanding Voltage (at sea level)	500 V rms
Working Voltage (at sea level)	150 V rms

Mechanical Data	
Recommended Coupling Nut Torque	7.08 to 9.74 inch lbs
Coupling Proof Torque	15 inch lbs
Contact Captivation-axial	≥ 4.5 lbs
Durability (mating)	≥ 500

Environmental Data	
Temperature Range	-10°C to +165°C
Thermal Shock	MIL-STD-202, Method 107, Condition B
Moisture Resistance	MIL-STD-202, Method 206
Corrosion	MIL-STD-202, Method 101, Condition B
RoHS	Compliant

ADS-24/8-24/8-BF-GB-1.25

