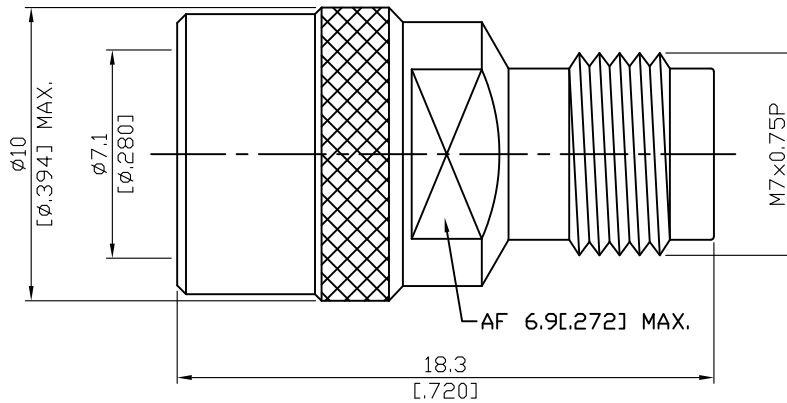


ADS-2.4Q3-2.4/8-1.35	2.4mm Snap On Plug To 2.4mm Jack 50GHz VSWR 1.35	50Ω
----------------------	---	-----



Parts	Material	Plating ( Micro-inch )
Body	Stainless Steel	Passivated
Contact Body	Beryllium Copper	Gold 4 Over Nickel-Phosphorus Alloy 80 Over Copper 20
Insulator	PEI	
Contact Pin	Beryllium Copper	Gold 4 Over Nickel-Phosphorus Alloy 80 Over Copper 20

--	--

This part number complies with RoHS.

Notice: JYEBAO reserves the right to make modifications deemed appropriate.

ADS-2.4Q3-2.4/8-1.35	2.4mm Snap On Plug To 2.4mm Jack 50GHz VSWR 1.35	
<b>Interface</b>		
Standard Mechanically compatible with	2.4mm Plug Snap On Side Per JYEBAO 2.4mm Snap On Plug 1.85	2.4mm Jack Screw Side MIL-STD-348B 1.85
<b>Electrical Data</b>		
Impedance	50Ω	
Frequency Range	DC to 50GHz	
VSWR	≤ 1.35 (DC to 50GHz)	
Insertion Loss	≤ 0.04 x √f(GHz) dB	
Insulation Resistance	≥ 5000MΩ	
Dielectric Withstanding Voltage (at sea level)	500 V rms	
Working Voltage (at sea level)	150 V rms	
RF Leakage	≥ 100dB to 1GHz	
<b>Mechanical Data</b>		
Recommended Coupling Nut Torque	7.08 to 9.74 inch lbs (not applicable to snap on side)	
Coupling Proof Torque	15 inch lbs (not applicable to snap on side)	
Contact Captivation-axial	≥ 4.5 lbs	
Durability (mating)	≥ 500	
<b>Environmental Data</b>		
Temperature Range	-40°C to +165°C	
Thermal Shock	MIL-STD-202, Method 107, Condition B	
Moisture Resistance	MIL-STD-202, Method 206	
Corrosion	MIL-STD-202, Method 101, Condition B	
RoHS	Compliant	

Notice: JYEBAO reserves the right to make modifications deemed appropriate.