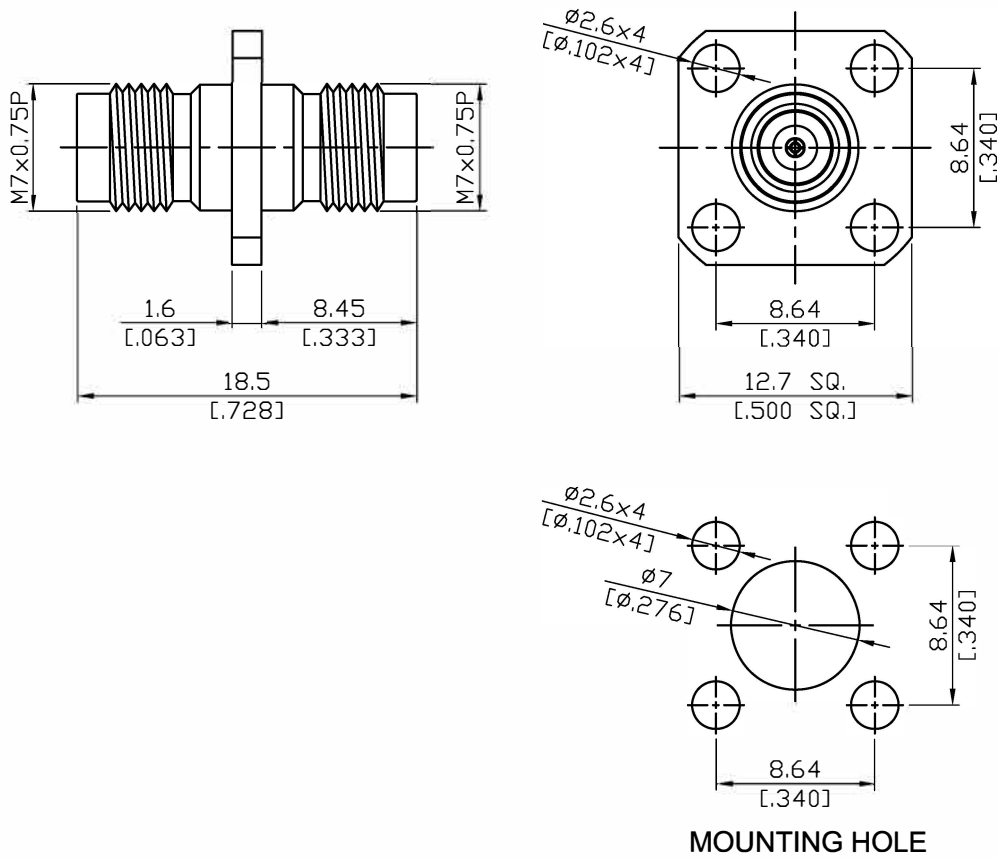


ADS-2.4/8-2.4/8-P4-1.15

2.4mm Jack To 2.4mm Jack 4-Hole Flange
50GHz VSWR 1.15

50Ω



Parts	Material	Plating (Micro-inch)
Contact Pin	Beryllium Copper	Gold 4 Over Nickel-Phosphorus Alloy 80 Over Copper 20
Insulator	PPO	
Body	Stainless Steel	Passivated

--	--

This part number complies with RoHS.

Notice: JYEBAO reserves the right to make modifications deemed appropriate.

ADS-2.4/8-2.4/8-P4-1.15

2.4mm Jack To 2.4mm Jack 4-Hole Flange
50GHz VSWR 1.15**Interface**

Standard	MIL-STD-348B
Mechanically compatible with	1.85

Electrical Data

Impedance	50Ω
Frequency Range	DC to 50GHz
VSWR	≤ 1.15 (DC to 50GHz)
Insertion Loss	≤ 0.04 x √f(GHz) dB
Insulation Resistance	≥ 5000MΩ
Dielectric Withstanding Voltage (at sea level)	500 V rms
Working Voltage (at sea level)	150 V rms
RF Leakage	≥ 100dB to 1GHz

Mechanical Data

Recommended Coupling Nut Torque	7.08 to 9.74 inch lbs
Coupling Proof Torque	15 inch lbs
Contact Captivation-axial	≥ 4.5 lbs
Durability (mating)	≥ 500

Environmental Data

Temperature Range	-55°C to +105°C
Thermal Shock	MIL-STD-202, Method 107, Condition B
Moisture Resistance	MIL-STD-202, Method 206
Corrosion	MIL-STD-202, Method 101, Condition B
RoHS	Compliant

ADS-2.4/8-2.4/8-P4-1.15

