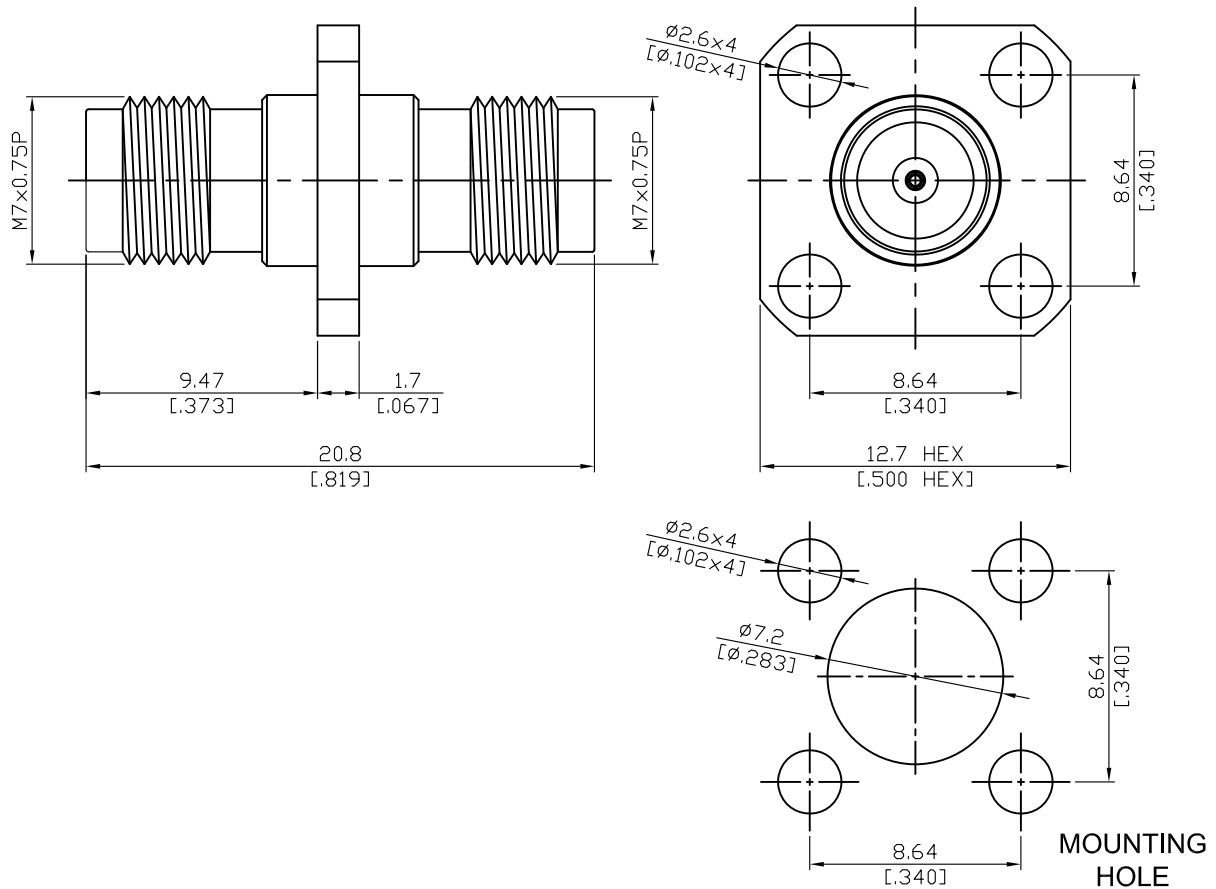


ADS-18/8-18/8-P4-1.3

1.85mm Jack To 1.85mm Jack 4 Hole Panel  
67GHz VSWR 1.35

50Ω



Parts	Material	Plating ( Micro-inch )
Contact Pin	Beryllium Copper	Gold 4 Over Nickel-Phosphorus Alloy 80 Over Copper 20
Insulator	PPO	
Body	Stainless Steel	Passivated

This part number complies with RoHS.

Notice: JYEBAO reserves the right to make modifications deemed appropriate.

ADS-18/8-18/8-P4-1.3	1.85mm Jack To 1.85mm Jack 4 Hole Panel 67GHz VSWR 1.35
<b>Interface</b>	
Standard	IEEE287; IEC61169-32
Mechanically compatible with	2.4
<b>Electrical Data</b>	
Impedance	50Ω
Frequency Range	DC to 67GHz
VSWR	≤ 1.35 (DC To 67GHz)
Insertion Loss	≤ 0.05 x √f(GHz) dB
Insulation Resistance	≥ 5000MΩ
Dielectric Withstanding Voltage (at sea level)	500 V rms
Working Voltage (at sea level)	150 V rms
RF Leakage	≥ 100 dB to 1GHz
<b>Mechanical Data</b>	
Recommended Coupling Nut Torque	7.08 to 9.74 inch lbs
Coupling Proof Torque	15 inch-lbs
Contact Captivation-axial	≥ 4.5 lbs
Durability (mating)	≥ 500
<b>Environmental Data</b>	
Temperature Range	-55°C to +105°C
Thermal Shock	MIL-STD-202, Method 107, Condition B
Moisture Resistance	MIL-STD-202, Method 206
Corrosion	MIL-STD-202, Method 101, Condition B
RoHS	Compliant

# ADS-18/8-18/8-P4-1.3

