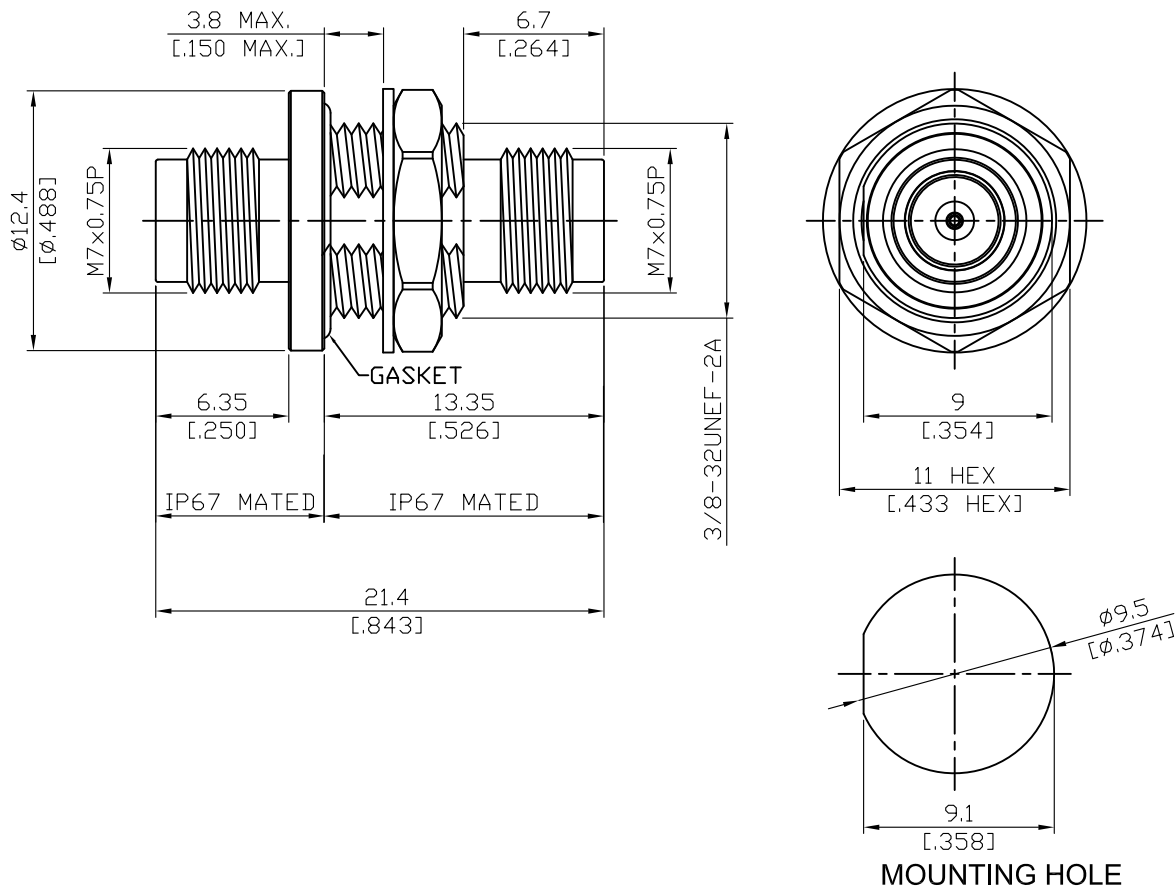


ADS-18/8-18/8-BFA1.3	1.85mm Jack to 1.85mm Jack Bulkhead IP67 Mated; 67GHz VSWR 1.35	50Ω
-----------------------------	---	------------



Parts	Material	Plating (Micro-inch)
Body	Stainless Steel	Passivated
Insulator	PPO	
Contact Pin	Beryllium Copper	Gold 4 Over Nickel-Phosphorus Alloy 80 Over Copper 20
Gasket	Silicone	
Lock Washer	Stainless Steel	Passivated
Hex Nut	Stainless Steel	Passivated

This part number complies with RoHS.

Notice: JYEBAO reserves the right to make modifications deemed appropriate.

ADS-18/8-18/8-BFA1.3	1.85mm Jack to 1.85mm Jack Bulkhead IP67 Mated; 67GHz VSWR 1.35																		
<table border="0"> <tr> <td colspan="2" data-bbox="129 342 531 394">Interface</td> </tr> <tr> <td data-bbox="129 400 791 434">Standard</td> <td data-bbox="791 400 1479 434">IEEE287; IEC61169-32</td> </tr> <tr> <td data-bbox="129 448 791 481">Mechanically compatible with</td> <td data-bbox="791 448 1479 481">2.4</td> </tr> </table>		Interface		Standard	IEEE287; IEC61169-32	Mechanically compatible with	2.4												
Interface																			
Standard	IEEE287; IEC61169-32																		
Mechanically compatible with	2.4																		
<table border="0"> <tr> <td colspan="2" data-bbox="129 604 531 656">Electrical Data</td> </tr> <tr> <td data-bbox="129 663 791 696">Impedance</td> <td data-bbox="791 663 1479 696">50Ω</td> </tr> <tr> <td data-bbox="129 710 791 743">Frequency Range</td> <td data-bbox="791 710 1479 743">DC to 67GHz</td> </tr> <tr> <td data-bbox="129 757 791 790">VSWR</td> <td data-bbox="791 757 1479 790">≤ 1.35 (DC To 67GHz)</td> </tr> <tr> <td data-bbox="129 804 791 837">Insertion Loss</td> <td data-bbox="791 804 1479 837">≤ 0.05 x √f(GHz) dB</td> </tr> <tr> <td data-bbox="129 851 791 884">Insulation Resistance</td> <td data-bbox="791 851 1479 884">≥ 5000MΩ</td> </tr> <tr> <td data-bbox="129 898 791 931">Dielectric Withstanding Voltage (at sea level)</td> <td data-bbox="791 898 1479 931">500 V rms</td> </tr> <tr> <td data-bbox="129 945 791 978">Working Voltage (at sea level)</td> <td data-bbox="791 945 1479 978">150 V rms</td> </tr> <tr> <td data-bbox="129 992 791 1025">RF Leakage</td> <td data-bbox="791 992 1479 1025">≥ 100 dB to 1GHz</td> </tr> </table>		Electrical Data		Impedance	50Ω	Frequency Range	DC to 67GHz	VSWR	≤ 1.35 (DC To 67GHz)	Insertion Loss	≤ 0.05 x √f(GHz) dB	Insulation Resistance	≥ 5000MΩ	Dielectric Withstanding Voltage (at sea level)	500 V rms	Working Voltage (at sea level)	150 V rms	RF Leakage	≥ 100 dB to 1GHz
Electrical Data																			
Impedance	50Ω																		
Frequency Range	DC to 67GHz																		
VSWR	≤ 1.35 (DC To 67GHz)																		
Insertion Loss	≤ 0.05 x √f(GHz) dB																		
Insulation Resistance	≥ 5000MΩ																		
Dielectric Withstanding Voltage (at sea level)	500 V rms																		
Working Voltage (at sea level)	150 V rms																		
RF Leakage	≥ 100 dB to 1GHz																		
<table border="0"> <tr> <td colspan="2" data-bbox="129 1153 531 1205">Mechanical Data</td> </tr> <tr> <td data-bbox="129 1211 791 1245">Recommended Coupling Nut Torque</td> <td data-bbox="791 1211 1479 1245">7.08 to 9.74 inch lbs</td> </tr> <tr> <td data-bbox="129 1258 791 1292">Coupling Proof Torque</td> <td data-bbox="791 1258 1479 1292">15 inch-lbs</td> </tr> <tr> <td data-bbox="129 1305 791 1339">Contact Captivation-axial</td> <td data-bbox="791 1305 1479 1339">≥ 4.5 lbs</td> </tr> <tr> <td data-bbox="129 1352 791 1386">Durability (mating)</td> <td data-bbox="791 1352 1479 1386">≥ 500</td> </tr> </table>		Mechanical Data		Recommended Coupling Nut Torque	7.08 to 9.74 inch lbs	Coupling Proof Torque	15 inch-lbs	Contact Captivation-axial	≥ 4.5 lbs	Durability (mating)	≥ 500								
Mechanical Data																			
Recommended Coupling Nut Torque	7.08 to 9.74 inch lbs																		
Coupling Proof Torque	15 inch-lbs																		
Contact Captivation-axial	≥ 4.5 lbs																		
Durability (mating)	≥ 500																		
<table border="0"> <tr> <td colspan="2" data-bbox="129 1505 531 1556">Environmental Data</td> </tr> <tr> <td data-bbox="129 1563 791 1597">Temperature Range</td> <td data-bbox="791 1563 1479 1597">-55°C to +105°C</td> </tr> <tr> <td data-bbox="129 1610 791 1644">Thermal Shock</td> <td data-bbox="791 1610 1479 1644">MIL-STD-202, Method 107, Condition B</td> </tr> <tr> <td data-bbox="129 1657 791 1691">Moisture Resistance</td> <td data-bbox="791 1657 1479 1691">MIL-STD-202, Method 206</td> </tr> <tr> <td data-bbox="129 1704 791 1738">Corrosion</td> <td data-bbox="791 1704 1479 1738">MIL-STD-202, Method 101, Condition B</td> </tr> <tr> <td data-bbox="129 1751 791 1785">RoHS</td> <td data-bbox="791 1751 1479 1785">Compliant</td> </tr> </table>		Environmental Data		Temperature Range	-55°C to +105°C	Thermal Shock	MIL-STD-202, Method 107, Condition B	Moisture Resistance	MIL-STD-202, Method 206	Corrosion	MIL-STD-202, Method 101, Condition B	RoHS	Compliant						
Environmental Data																			
Temperature Range	-55°C to +105°C																		
Thermal Shock	MIL-STD-202, Method 107, Condition B																		
Moisture Resistance	MIL-STD-202, Method 206																		
Corrosion	MIL-STD-202, Method 101, Condition B																		
RoHS	Compliant																		

ADS-18/8-18/8-BFA1.3

