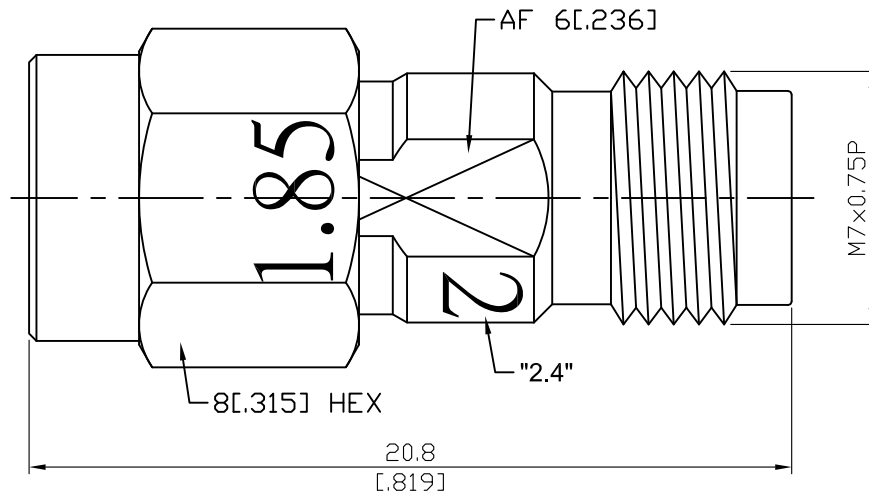


ADS-1.85/3-2.4/8-1.25	Stainless 1.85mm Plug To 2.4mm Jack 50GHz VSWR 1.25	50Ω
-----------------------	--	-----



Parts	Material	Plating (Micro-inch)
Gasket	Silicone	
Contact Pin	Beryllium Copper	Gold 4 Over Nickel-Phosphorus Alloy 80 Over Copper 20
Insulator	PEI	
Body	Stainless Steel	Passivated
Coupling Nut	Stainless Steel	Passivated

--	--

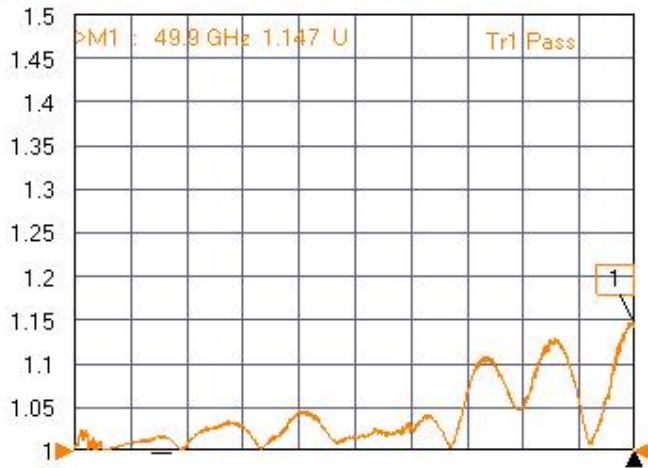
This part number complies with RoHS.

Notice: JYEBAO reserves the right to make modifications deemed appropriate.

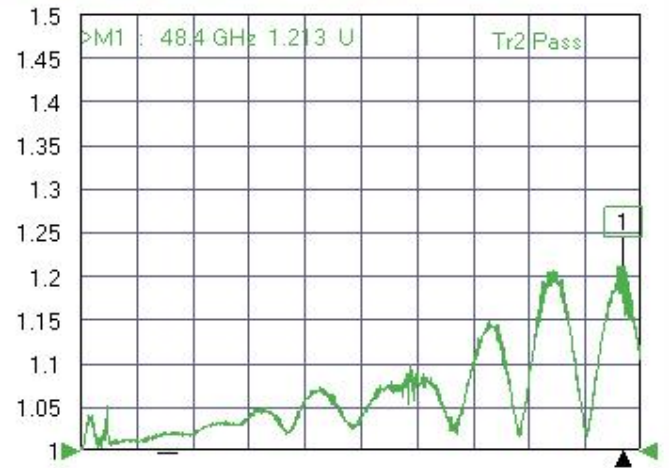
ADS-1.85/3-2.4/8-1.25	Stainless 1.85mm Plug To 2.4mm Jack 50GHz VSWR 1.25																												
<table border="1"> <tr> <td data-bbox="113 338 531 394">Interface</td> <td colspan="2"></td> </tr> <tr> <td data-bbox="113 394 531 479">Standard Mechanically compatible with</td> <td data-bbox="531 394 1123 479"> <table border="1"> <tr> <td data-bbox="531 394 778 427">1.85</td> <td data-bbox="778 394 1123 427">2.4</td> </tr> <tr> <td data-bbox="531 427 778 479">IEEE287; IEC61169-32</td> <td data-bbox="778 427 1123 479">MIL-STD-348B</td> </tr> </table> </td> <td data-bbox="1123 394 1479 479"></td> </tr> <tr> <td></td> <td data-bbox="531 479 778 535">2.4</td> <td data-bbox="778 479 1123 535">1.85</td> </tr> </table>			Interface			Standard Mechanically compatible with	<table border="1"> <tr> <td data-bbox="531 394 778 427">1.85</td> <td data-bbox="778 394 1123 427">2.4</td> </tr> <tr> <td data-bbox="531 427 778 479">IEEE287; IEC61169-32</td> <td data-bbox="778 427 1123 479">MIL-STD-348B</td> </tr> </table>	1.85	2.4	IEEE287; IEC61169-32	MIL-STD-348B			2.4	1.85														
Interface																													
Standard Mechanically compatible with	<table border="1"> <tr> <td data-bbox="531 394 778 427">1.85</td> <td data-bbox="778 394 1123 427">2.4</td> </tr> <tr> <td data-bbox="531 427 778 479">IEEE287; IEC61169-32</td> <td data-bbox="778 427 1123 479">MIL-STD-348B</td> </tr> </table>	1.85	2.4	IEEE287; IEC61169-32	MIL-STD-348B																								
1.85	2.4																												
IEEE287; IEC61169-32	MIL-STD-348B																												
	2.4	1.85																											
<table border="1"> <tr> <td data-bbox="113 598 531 654">Electrical Data</td> <td colspan="2"></td> </tr> <tr> <td data-bbox="113 654 531 696">Impedance</td> <td colspan="2" data-bbox="531 654 1479 696">50Ω</td> </tr> <tr> <td data-bbox="113 696 531 739">Frequency Range</td> <td colspan="2" data-bbox="531 696 1479 739">DC to 50GHz</td> </tr> <tr> <td data-bbox="113 739 531 784">VSWR</td> <td colspan="2" data-bbox="531 739 1479 784">≤ 1.25 (DC to 50GHz)</td> </tr> <tr> <td data-bbox="113 784 531 828">Insertion Loss</td> <td colspan="2" data-bbox="531 784 1479 828">≤ 0.05 x √f(GHz) dB</td> </tr> <tr> <td data-bbox="113 828 531 873">Insulation Resistance</td> <td colspan="2" data-bbox="531 828 1479 873">≥ 5000MΩ</td> </tr> <tr> <td data-bbox="113 873 531 918">Dielectric Withstanding Voltage (at sea level)</td> <td colspan="2" data-bbox="531 873 1479 918">500 V rms</td> </tr> <tr> <td data-bbox="113 918 531 963">Working Voltage (at sea level)</td> <td colspan="2" data-bbox="531 918 1479 963">150 V rms</td> </tr> <tr> <td data-bbox="113 963 531 1008">RF Leakage</td> <td colspan="2" data-bbox="531 963 1479 1008">≥ 100dB to 1GHz</td> </tr> </table>			Electrical Data			Impedance	50Ω		Frequency Range	DC to 50GHz		VSWR	≤ 1.25 (DC to 50GHz)		Insertion Loss	≤ 0.05 x √f(GHz) dB		Insulation Resistance	≥ 5000MΩ		Dielectric Withstanding Voltage (at sea level)	500 V rms		Working Voltage (at sea level)	150 V rms		RF Leakage	≥ 100dB to 1GHz	
Electrical Data																													
Impedance	50Ω																												
Frequency Range	DC to 50GHz																												
VSWR	≤ 1.25 (DC to 50GHz)																												
Insertion Loss	≤ 0.05 x √f(GHz) dB																												
Insulation Resistance	≥ 5000MΩ																												
Dielectric Withstanding Voltage (at sea level)	500 V rms																												
Working Voltage (at sea level)	150 V rms																												
RF Leakage	≥ 100dB to 1GHz																												
<table border="1"> <tr> <td data-bbox="113 1146 531 1202">Mechanical Data</td> <td colspan="2"></td> </tr> <tr> <td data-bbox="113 1202 531 1247">Recommended Coupling Nut Torque</td> <td colspan="2" data-bbox="531 1202 1479 1247">7.08 to 9.74 inch lbs</td> </tr> <tr> <td data-bbox="113 1247 531 1292">Coupling Proof Torque</td> <td colspan="2" data-bbox="531 1247 1479 1292">15 in-lbs</td> </tr> <tr> <td data-bbox="113 1292 531 1337">Contact Captivation-axial</td> <td colspan="2" data-bbox="531 1292 1479 1337">≥ 4.5 lbs</td> </tr> <tr> <td data-bbox="113 1337 531 1382">Durability (mating)</td> <td colspan="2" data-bbox="531 1337 1479 1382">≥ 500</td> </tr> </table>			Mechanical Data			Recommended Coupling Nut Torque	7.08 to 9.74 inch lbs		Coupling Proof Torque	15 in-lbs		Contact Captivation-axial	≥ 4.5 lbs		Durability (mating)	≥ 500													
Mechanical Data																													
Recommended Coupling Nut Torque	7.08 to 9.74 inch lbs																												
Coupling Proof Torque	15 in-lbs																												
Contact Captivation-axial	≥ 4.5 lbs																												
Durability (mating)	≥ 500																												
<table border="1"> <tr> <td data-bbox="113 1498 531 1554">Environmental Data</td> <td colspan="2"></td> </tr> <tr> <td data-bbox="113 1554 531 1599">Temperature Range</td> <td colspan="2" data-bbox="531 1554 1479 1599">-40°C to +165°C</td> </tr> <tr> <td data-bbox="113 1599 531 1644">Thermal Shock</td> <td colspan="2" data-bbox="531 1599 1479 1644">MIL-STD-202, Method 107, Condition B</td> </tr> <tr> <td data-bbox="113 1644 531 1688">Moisture Resistance</td> <td colspan="2" data-bbox="531 1644 1479 1688">MIL-STD-202, Method 206</td> </tr> <tr> <td data-bbox="113 1688 531 1733">Corrosion</td> <td colspan="2" data-bbox="531 1688 1479 1733">MIL-STD-202, Method 101, Condition B</td> </tr> <tr> <td data-bbox="113 1733 531 1778">RoHS</td> <td colspan="2" data-bbox="531 1733 1479 1778">Compliant</td> </tr> </table>			Environmental Data			Temperature Range	-40°C to +165°C		Thermal Shock	MIL-STD-202, Method 107, Condition B		Moisture Resistance	MIL-STD-202, Method 206		Corrosion	MIL-STD-202, Method 101, Condition B		RoHS	Compliant										
Environmental Data																													
Temperature Range	-40°C to +165°C																												
Thermal Shock	MIL-STD-202, Method 107, Condition B																												
Moisture Resistance	MIL-STD-202, Method 206																												
Corrosion	MIL-STD-202, Method 101, Condition B																												
RoHS	Compliant																												

ADS-1.85/3-2.4/8-1.25

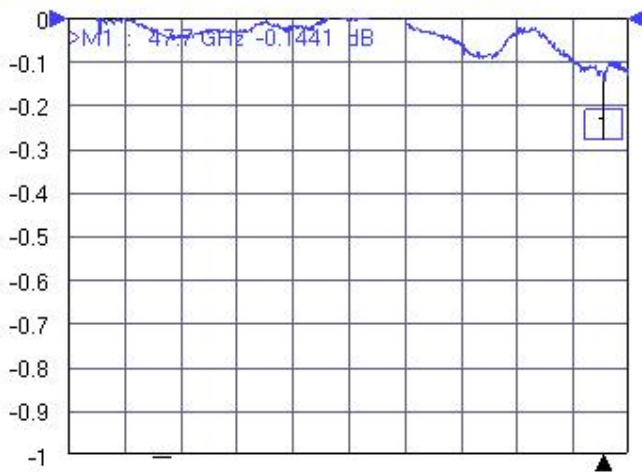
Tr1 S11 Refl SWR RefLvl: 1 U Res: 50 mU/Div



Tr2 S22 Refl SWR RefLvl: 1 U Res: 50 mU/Div



Tr3 S21 Trans LogM RefLvl: 0 dB Res: 0.1 dB/Div



Tr4 S12 Trans LogM RefLvl: 0 dB Res: 0.1 dB/Div

