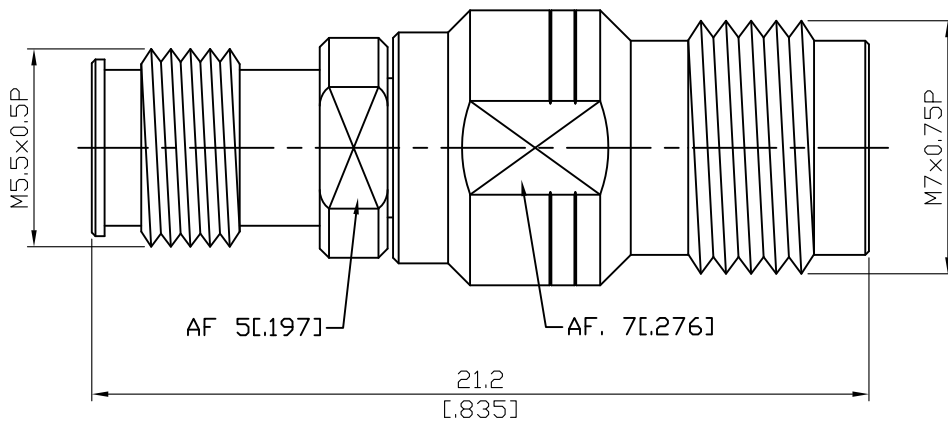


ADS-1.35/8-1.85/8-1.3	1.35mm jack to 1.85mm jack 70GHz VSWR 1.3	50Ω
-----------------------	--	-----



Parts	Material	Plating (Micro-inch)
Body	Stainless Steel	Passivated
Contact Pin	Beryllium Copper	Gold 4 Over Nickel-Phosphorus Alloy 80 Over Copper 20
Insulator	PEI	

--	--

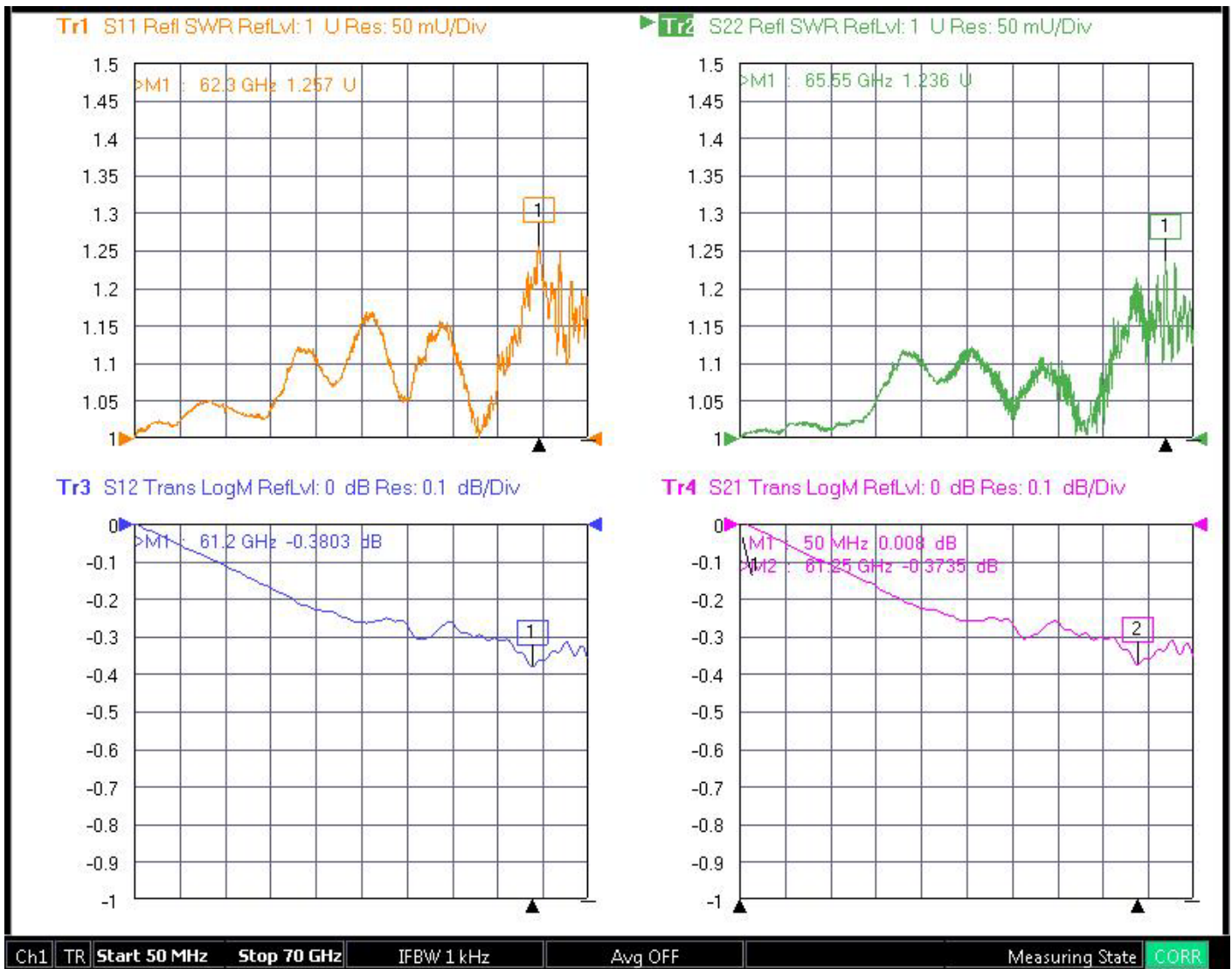
This part number complies with RoHS.

Notice: JYEBAO reserves the right to make modifications deemed appropriate.

ADS-1.35/8-1.85/8-1.3	1.35mm jack to 1.85mm jack 70GHz VSWR 1.3	
Interface	1.35	1.85
Standard	IEC61169-65	IEEE287; IEC61169-32
Mechanically compatible with		2.4
Electrical Data		
Impedance	50Ω	
Frequency Range	DC To 70GHz	
VSWR	≤ 1.3 (DC To 70GHz)	
Insertion loss	≤ 0.05 x √ f(GHz) dB	
Insulation Resistance	≥ 5000MΩ	
Dielectric Withstanding Voltage (at sea level)	500 V rms	
Working Voltage (at sea level)	150 V rms	
Mechanical Data	1.35	1.85
Recommended Coupling Nut Torque	8 in-lbs	7.08 to 9.74 in-lbs
Coupling Proof Torque	14.6 in-lbs	15 in-lbs
Contact Captivation-axial	≥ 2.25 lbs	≥ 4.5 lbs
Durability (mating)	≥ 3000	≥ 500
Environmental Data		
Temperature Range	-40°C to +165°C	
Thermal Shock	MIL-STD-202, Method 107, Condition B	
Moisture Resistance	MIL-STD-202, Method 206	
Corrosion	MIL-STD-202, Method 101, Condition B	
RoHS	Compliant	

Notice: JYEBAO reserves the right to make modifications deemed appropriate.

ADS-1.35/8-1.85/8-1.3



Note

“S11/S12/S21/S22 plots shown represent IL and VSWR of two adaptors tested. To extract IL of a single adaptor divide IL measured by two”