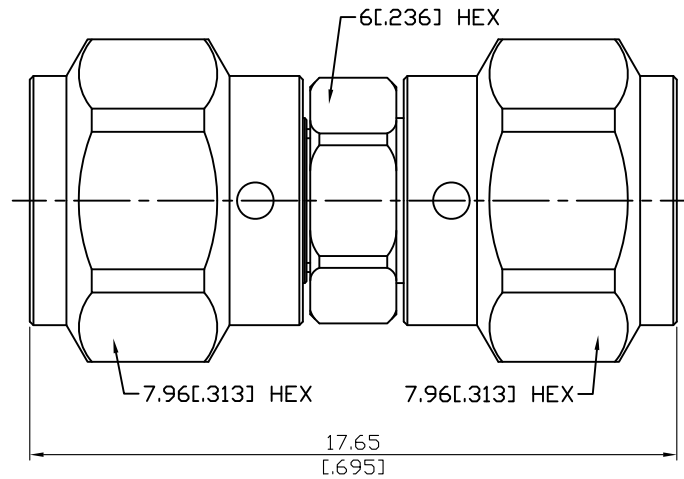


ADS-1.35/3-1.35/3-1.35	1.35mm Plug To 1.35mm Plug 90GHz VSWR 1.35	50Ω
------------------------	---	-----



Parts	Material	Plating (Micro-inch)
Coupling Nut	Stainless Steel	Passivated
Body	Stainless Steel	Passivated
Insulator	PEI	
Contact Pin	Beryllium Copper	Gold 4 Over Nickel-Phosphorus Alloy 80 Over Copper 20

--	--

This part number complies with RoHS.

Notice: JYEBAO reserves the right to make modifications deemed appropriate.

ADS-1.35/3-1.35/3-1.35	1.35mm Plug To 1.35mm Plug 90GHz VSWR 1.35																		
<table border="0"> <tr> <td colspan="2" data-bbox="132 342 531 394">Interface</td> </tr> <tr> <td data-bbox="132 398 794 434">Standard</td> <td data-bbox="794 398 1481 434">IEC61169-65</td> </tr> </table>		Interface		Standard	IEC61169-65														
Interface																			
Standard	IEC61169-65																		
<table border="0"> <tr> <td colspan="2" data-bbox="132 510 531 562">Electrical Data</td> </tr> <tr> <td data-bbox="132 566 794 602">Impedance</td> <td data-bbox="794 566 1481 602">50Ω</td> </tr> <tr> <td data-bbox="132 607 794 642">Frequency Range</td> <td data-bbox="794 607 1481 642">DC to 90GHz</td> </tr> <tr> <td data-bbox="132 647 794 683">VSWR</td> <td data-bbox="794 647 1481 683">≤ 1.35</td> </tr> <tr> <td data-bbox="132 687 794 723">Insertion Loss</td> <td data-bbox="794 687 1481 723">≤ 0.07 x √ f(GHz) dB</td> </tr> <tr> <td data-bbox="132 728 794 763">Insulation Resistance</td> <td data-bbox="794 728 1481 763">≥ 5000MΩ</td> </tr> <tr> <td data-bbox="132 768 794 804">Dielectric Withstanding Voltage (at sea level)</td> <td data-bbox="794 768 1481 804">500 V rms, 50Hz</td> </tr> <tr> <td data-bbox="132 808 794 844">Working Voltage (at sea level)</td> <td data-bbox="794 808 1481 844">150 V rms, 50Hz</td> </tr> <tr> <td data-bbox="132 848 794 884">RF Leakage</td> <td data-bbox="794 848 1481 884">≥ 90dB to 1GHz</td> </tr> </table>		Electrical Data		Impedance	50Ω	Frequency Range	DC to 90GHz	VSWR	≤ 1.35	Insertion Loss	≤ 0.07 x √ f(GHz) dB	Insulation Resistance	≥ 5000MΩ	Dielectric Withstanding Voltage (at sea level)	500 V rms, 50Hz	Working Voltage (at sea level)	150 V rms, 50Hz	RF Leakage	≥ 90dB to 1GHz
Electrical Data																			
Impedance	50Ω																		
Frequency Range	DC to 90GHz																		
VSWR	≤ 1.35																		
Insertion Loss	≤ 0.07 x √ f(GHz) dB																		
Insulation Resistance	≥ 5000MΩ																		
Dielectric Withstanding Voltage (at sea level)	500 V rms, 50Hz																		
Working Voltage (at sea level)	150 V rms, 50Hz																		
RF Leakage	≥ 90dB to 1GHz																		
<table border="0"> <tr> <td colspan="2" data-bbox="132 1003 531 1055">Mechanical Data</td> </tr> <tr> <td data-bbox="132 1059 794 1095">Recommended coupling nut torque</td> <td data-bbox="794 1059 1481 1095">8 inch lbs</td> </tr> <tr> <td data-bbox="132 1099 794 1135">Coupling proof torque</td> <td data-bbox="794 1099 1481 1135">14.6 inch lbs</td> </tr> <tr> <td data-bbox="132 1140 794 1176">Contact Captivation-axial</td> <td data-bbox="794 1140 1481 1176">≥ 2.25 lbs</td> </tr> <tr> <td data-bbox="132 1180 794 1216">Durability (mating)</td> <td data-bbox="794 1180 1481 1216">≥ 3000</td> </tr> </table>		Mechanical Data		Recommended coupling nut torque	8 inch lbs	Coupling proof torque	14.6 inch lbs	Contact Captivation-axial	≥ 2.25 lbs	Durability (mating)	≥ 3000								
Mechanical Data																			
Recommended coupling nut torque	8 inch lbs																		
Coupling proof torque	14.6 inch lbs																		
Contact Captivation-axial	≥ 2.25 lbs																		
Durability (mating)	≥ 3000																		
<table border="0"> <tr> <td colspan="2" data-bbox="132 1361 531 1413">Environmental Data</td> </tr> <tr> <td data-bbox="132 1417 794 1453">Temperature Range</td> <td data-bbox="794 1417 1481 1453">-40°C to +165°C</td> </tr> <tr> <td data-bbox="132 1458 794 1494">Thermal shock</td> <td data-bbox="794 1458 1481 1494">MIL-STD-202, Method 107, Condition B</td> </tr> <tr> <td data-bbox="132 1498 794 1534">Moisture resistance</td> <td data-bbox="794 1498 1481 1534">MIL-STD-202, Method 106</td> </tr> <tr> <td data-bbox="132 1538 794 1574">Corrosion</td> <td data-bbox="794 1538 1481 1574">MIL-STD-202, Method 101, Condition B</td> </tr> <tr> <td data-bbox="132 1579 794 1615">RoHS</td> <td data-bbox="794 1579 1481 1615">Compliant</td> </tr> </table>		Environmental Data		Temperature Range	-40°C to +165°C	Thermal shock	MIL-STD-202, Method 107, Condition B	Moisture resistance	MIL-STD-202, Method 106	Corrosion	MIL-STD-202, Method 101, Condition B	RoHS	Compliant						
Environmental Data																			
Temperature Range	-40°C to +165°C																		
Thermal shock	MIL-STD-202, Method 107, Condition B																		
Moisture resistance	MIL-STD-202, Method 106																		
Corrosion	MIL-STD-202, Method 101, Condition B																		
RoHS	Compliant																		

Notice: JYEBAO reserves the right to make modifications deemed appropriate.

ADS-1.35/3-1.35/3-1.35

