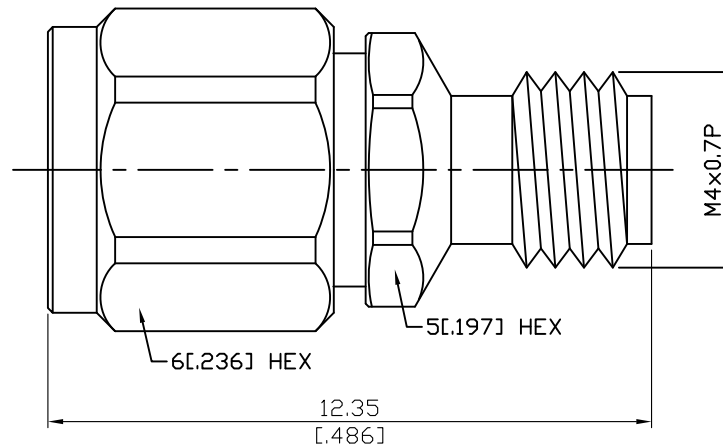


ADS-1.0/3-1.0/8-1.4

1.0mm Plug To 1.0mm Jack
110GHz VSWR 1.4

50Ω



Parts	Material	Plating (Micro-inch)
Body	Stainless Steel	Passivated
Coupling Nut	Stainless Steel	Passivated
Contact Pin	Beryllium Copper	Gold 4 Over Nickel-Phosphorus Alloy 80 Over Copper 20
Insulator	PPO	
Retainer Ring	Beryllium Copper	Tin-Zinc-Copper-Alloy 100 Over Copper 50
Gasket	Silicone	

This part number complies with RoHS.

Notice: JYEBAO reserves the right to make modifications deemed appropriate.

ADS-1.0/3-1.0/8-1.4	1.0mm Plug To 1.0mm Jack 110GHz VSWR 1.4																		
<table border="0"> <tr> <td data-bbox="132 342 531 394">Interface</td> <td></td> </tr> <tr> <td data-bbox="132 394 531 490">Standard</td> <td data-bbox="794 394 1481 490">IEC61169-31</td> </tr> </table>		Interface		Standard	IEC61169-31														
Interface																			
Standard	IEC61169-31																		
<table border="0"> <tr> <td data-bbox="132 512 531 564">Electrical Data</td> <td></td> </tr> <tr> <td data-bbox="132 564 531 607">Impedance</td> <td data-bbox="794 564 1481 607">50Ω</td> </tr> <tr> <td data-bbox="132 607 531 649">Frequency Range</td> <td data-bbox="794 607 1481 649">DC to 110GHz</td> </tr> <tr> <td data-bbox="132 649 531 692">VSWR</td> <td data-bbox="794 649 1481 692">≤1.4</td> </tr> <tr> <td data-bbox="132 692 531 734">Insertion loss</td> <td data-bbox="794 692 1481 734">≤0.05 x √f(GHz) dB</td> </tr> <tr> <td data-bbox="132 734 531 777">Insulation Resistance</td> <td data-bbox="794 734 1481 777">≥5000MΩ</td> </tr> <tr> <td data-bbox="132 777 531 819">Dielectric Withstanding Voltage (at sea level)</td> <td data-bbox="794 777 1481 819">500 V rms, 50Hz</td> </tr> <tr> <td data-bbox="132 819 531 862">Working Voltage (at sea level)</td> <td data-bbox="794 819 1481 862">150 V rms, 50Hz</td> </tr> <tr> <td data-bbox="132 862 531 904">RF Leakage</td> <td data-bbox="794 862 1481 904">≥90dB to 1GHz</td> </tr> </table>		Electrical Data		Impedance	50Ω	Frequency Range	DC to 110GHz	VSWR	≤1.4	Insertion loss	≤0.05 x √f(GHz) dB	Insulation Resistance	≥5000MΩ	Dielectric Withstanding Voltage (at sea level)	500 V rms, 50Hz	Working Voltage (at sea level)	150 V rms, 50Hz	RF Leakage	≥90dB to 1GHz
Electrical Data																			
Impedance	50Ω																		
Frequency Range	DC to 110GHz																		
VSWR	≤1.4																		
Insertion loss	≤0.05 x √f(GHz) dB																		
Insulation Resistance	≥5000MΩ																		
Dielectric Withstanding Voltage (at sea level)	500 V rms, 50Hz																		
Working Voltage (at sea level)	150 V rms, 50Hz																		
RF Leakage	≥90dB to 1GHz																		
<table border="0"> <tr> <td data-bbox="132 1005 531 1057">Mechanical Data</td> <td></td> </tr> <tr> <td data-bbox="132 1057 531 1099">Recommended coupling nut torque</td> <td data-bbox="794 1057 1481 1099">2.65 to 3.63 inch lbs</td> </tr> <tr> <td data-bbox="132 1099 531 1142">Coupling proof torque</td> <td data-bbox="794 1099 1481 1142">6.2 inch lbs</td> </tr> <tr> <td data-bbox="132 1142 531 1184">Contact Captivation-axial</td> <td data-bbox="794 1142 1481 1184">≥2.25 lbs</td> </tr> <tr> <td data-bbox="132 1184 531 1227">Durability (mating)</td> <td data-bbox="794 1184 1481 1227">≥500</td> </tr> </table>		Mechanical Data		Recommended coupling nut torque	2.65 to 3.63 inch lbs	Coupling proof torque	6.2 inch lbs	Contact Captivation-axial	≥2.25 lbs	Durability (mating)	≥500								
Mechanical Data																			
Recommended coupling nut torque	2.65 to 3.63 inch lbs																		
Coupling proof torque	6.2 inch lbs																		
Contact Captivation-axial	≥2.25 lbs																		
Durability (mating)	≥500																		
<table border="0"> <tr> <td data-bbox="132 1364 531 1415">Environmental Data</td> <td></td> </tr> <tr> <td data-bbox="132 1415 531 1458">Temperature Range</td> <td data-bbox="794 1415 1481 1458">-55°C to +105°C</td> </tr> <tr> <td data-bbox="132 1458 531 1500">Thermal shock</td> <td data-bbox="794 1458 1481 1500">MIL-STD-202, Method 107, Condition B</td> </tr> <tr> <td data-bbox="132 1500 531 1543">Moisture resistance</td> <td data-bbox="794 1500 1481 1543">MIL-STD-202, Method 106</td> </tr> <tr> <td data-bbox="132 1543 531 1585">Corrosion</td> <td data-bbox="794 1543 1481 1585">MIL-STD-202, Method 101, Condition B</td> </tr> <tr> <td data-bbox="132 1585 531 1628">RoHS</td> <td data-bbox="794 1585 1481 1628">Compliant</td> </tr> </table>		Environmental Data		Temperature Range	-55°C to +105°C	Thermal shock	MIL-STD-202, Method 107, Condition B	Moisture resistance	MIL-STD-202, Method 106	Corrosion	MIL-STD-202, Method 101, Condition B	RoHS	Compliant						
Environmental Data																			
Temperature Range	-55°C to +105°C																		
Thermal shock	MIL-STD-202, Method 107, Condition B																		
Moisture resistance	MIL-STD-202, Method 106																		
Corrosion	MIL-STD-202, Method 101, Condition B																		
RoHS	Compliant																		

Notice: JYEBAO reserves the right to make modifications deemed appropriate.

ADS-1.0/3-1.0/8-1.4

