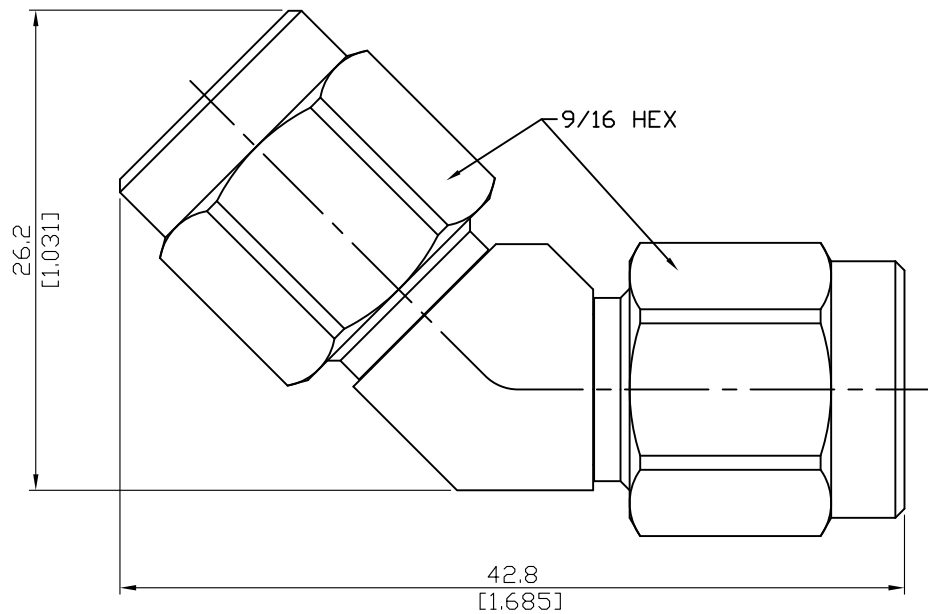


AD45S-T3T3-18-1.3

45° Angle TNC Plug to TNC Plug
18GHz VSWR 1.3

50Ω



Parts	Material	Plating (Micro-inch)
Coupling Nut	Stainless Steel	Passivated
Body	Stainless Steel	Passivated
Insulator	Teflon	
Contact Pin	Beryllium Copper	Gold 4 Over Nickel-Phosphorus Alloy 80 Over Copper 20
Gasket	Silicone	
Retainer Ring	P. Bronze	Tin-Zinc-Copper-Alloy 100 Over Copper 50

This part number complies with RoHS.

Notice: JYEBAO reserves the right to make modifications deemed appropriate.

AD45S-T3T3-18-1.3	45° Angle TNC Plug To TNC Plug 18GHz VSWR 1.3
Interface Standard MIL-STD-348B	
Electrical Data Impedance 50Ω Frequency Range DC to 18GHz VSWR ≤ 1.3 (DC To 18GHz) Insertion Loss $\leq 0.07 \times \sqrt{f(\text{GHz})}$ dB Insulation Resistance $\geq 5000\text{M}\Omega$ Dielectric Withstanding Voltage (at sea level) 1500 V rms Working Voltage (at sea level) 500 V rms	
Mechanical Data Recommended Coupling Nut Torque 4.1 to 6.1 in-lbs Coupling Proof Torque 15 in-lbs Coupling Nut Retention Force ≥ 101.2 lbs Contact Captivation-axial ≥ 6.1 lbs Durability (mating) ≥ 500	
Environmental Data Temperature Range -65°C to +165°C Thermal Shock MIL-STD-202, Method 107, Condition B Moisture Resistance MIL-STD-202, Method 206 Corrosion MIL-STD-202, Method 101, Condition B RoHS Compliant	

Notice: JYEBAO reserves the right to make modifications deemed appropriate.