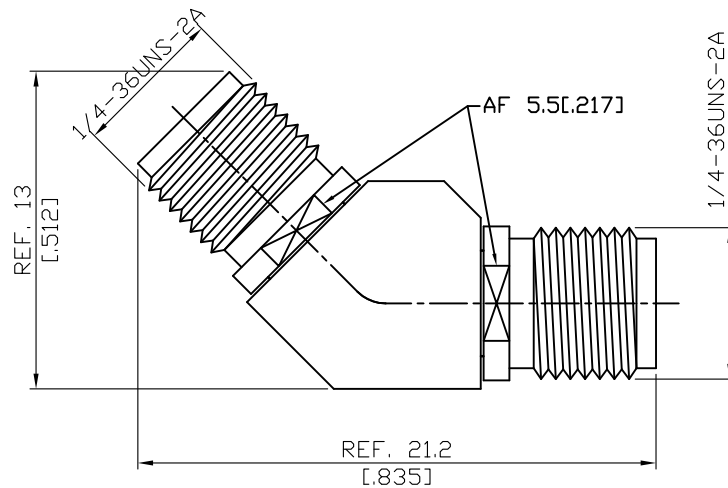


AD45S-K8K8-1.25

45° angle 2.92mm jack to 2.92mm jack
40GHz VSWR 1.25

50Ω



Parts	Material	Plating (Micro-inch)
Body	Stainless Steel	Passivated
Insulator	PPO	
Contact Pin	Beryllium Copper	Gold 4 Over Nickel-Phosphorus Alloy 80 Over Copper 20

This part number complies with RoHS.

Notice: JYEBAO reserves the right to make modifications deemed appropriate.

AD45S-K8K8-1.25	45° angle 2.92mm jack to 2.92mm jack 40GHz VSWR 1.25																
<table border="0"> <tr> <td colspan="2" data-bbox="129 342 531 392">Interface</td> </tr> <tr> <td data-bbox="129 398 794 436">Standard</td> <td data-bbox="794 398 1481 436">MIL-STD-348B</td> </tr> <tr> <td data-bbox="129 443 794 481">Mechanically compatible with</td> <td data-bbox="794 443 1481 481">3.5 & SMA</td> </tr> </table>		Interface		Standard	MIL-STD-348B	Mechanically compatible with	3.5 & SMA										
Interface																	
Standard	MIL-STD-348B																
Mechanically compatible with	3.5 & SMA																
<table border="0"> <tr> <td colspan="2" data-bbox="129 602 531 651">Electrical Data</td> </tr> <tr> <td data-bbox="129 658 794 696">Impedance</td> <td data-bbox="794 658 1481 696">50Ω</td> </tr> <tr> <td data-bbox="129 703 794 741">Frequency Range</td> <td data-bbox="794 703 1481 741">DC to 40GHz</td> </tr> <tr> <td data-bbox="129 748 794 786">VSWR</td> <td data-bbox="794 748 1481 786">≤ 1.25 (DC To 40GHz)</td> </tr> <tr> <td data-bbox="129 792 794 831">Insertion Loss</td> <td data-bbox="794 792 1481 831">≤ 0.05 x √f(GHz) dB</td> </tr> <tr> <td data-bbox="129 837 794 875">Insulation Resistance</td> <td data-bbox="794 837 1481 875">≥ 5000MΩ</td> </tr> <tr> <td data-bbox="129 882 794 920">Dielectric Withstanding Voltage (at sea level)</td> <td data-bbox="794 882 1481 920">750 V rms</td> </tr> <tr> <td data-bbox="129 927 794 965">Working Voltage (at sea level)</td> <td data-bbox="794 927 1481 965">250 V rms</td> </tr> </table>		Electrical Data		Impedance	50Ω	Frequency Range	DC to 40GHz	VSWR	≤ 1.25 (DC To 40GHz)	Insertion Loss	≤ 0.05 x √f(GHz) dB	Insulation Resistance	≥ 5000MΩ	Dielectric Withstanding Voltage (at sea level)	750 V rms	Working Voltage (at sea level)	250 V rms
Electrical Data																	
Impedance	50Ω																
Frequency Range	DC to 40GHz																
VSWR	≤ 1.25 (DC To 40GHz)																
Insertion Loss	≤ 0.05 x √f(GHz) dB																
Insulation Resistance	≥ 5000MΩ																
Dielectric Withstanding Voltage (at sea level)	750 V rms																
Working Voltage (at sea level)	250 V rms																
<table border="0"> <tr> <td colspan="2" data-bbox="129 1099 531 1149">Mechanical Data</td> </tr> <tr> <td data-bbox="129 1155 794 1193">Recommended Coupling Nut Torque</td> <td data-bbox="794 1155 1481 1193">11.47 in-lbs</td> </tr> <tr> <td data-bbox="129 1200 794 1238">Coupling Proof Torque</td> <td data-bbox="794 1200 1481 1238">15 in-lbs</td> </tr> <tr> <td data-bbox="129 1245 794 1283">Contact Captivation-axial</td> <td data-bbox="794 1245 1481 1283">≥ 4.9 lbs</td> </tr> <tr> <td data-bbox="129 1290 794 1328">Durability (mating)</td> <td data-bbox="794 1290 1481 1328">≥ 500</td> </tr> </table>		Mechanical Data		Recommended Coupling Nut Torque	11.47 in-lbs	Coupling Proof Torque	15 in-lbs	Contact Captivation-axial	≥ 4.9 lbs	Durability (mating)	≥ 500						
Mechanical Data																	
Recommended Coupling Nut Torque	11.47 in-lbs																
Coupling Proof Torque	15 in-lbs																
Contact Captivation-axial	≥ 4.9 lbs																
Durability (mating)	≥ 500																
<table border="0"> <tr> <td colspan="2" data-bbox="129 1453 531 1503">Environmental Data</td> </tr> <tr> <td data-bbox="129 1509 794 1547">Temperature Range</td> <td data-bbox="794 1509 1481 1547">-55°C to +105°C</td> </tr> <tr> <td data-bbox="129 1554 794 1592">Thermal Shock</td> <td data-bbox="794 1554 1481 1592">MIL-STD-202, Method 107, Condition B</td> </tr> <tr> <td data-bbox="129 1599 794 1637">Moisture Resistance</td> <td data-bbox="794 1599 1481 1637">MIL-STD-202, Method 206</td> </tr> <tr> <td data-bbox="129 1644 794 1682">Corrosion</td> <td data-bbox="794 1644 1481 1682">MIL-STD-202, Method 101, Condition B</td> </tr> <tr> <td data-bbox="129 1688 794 1727">RoHS</td> <td data-bbox="794 1688 1481 1727">Compliant</td> </tr> </table>		Environmental Data		Temperature Range	-55°C to +105°C	Thermal Shock	MIL-STD-202, Method 107, Condition B	Moisture Resistance	MIL-STD-202, Method 206	Corrosion	MIL-STD-202, Method 101, Condition B	RoHS	Compliant				
Environmental Data																	
Temperature Range	-55°C to +105°C																
Thermal Shock	MIL-STD-202, Method 107, Condition B																
Moisture Resistance	MIL-STD-202, Method 206																
Corrosion	MIL-STD-202, Method 101, Condition B																
RoHS	Compliant																

AD45S-K3K8-1.25

