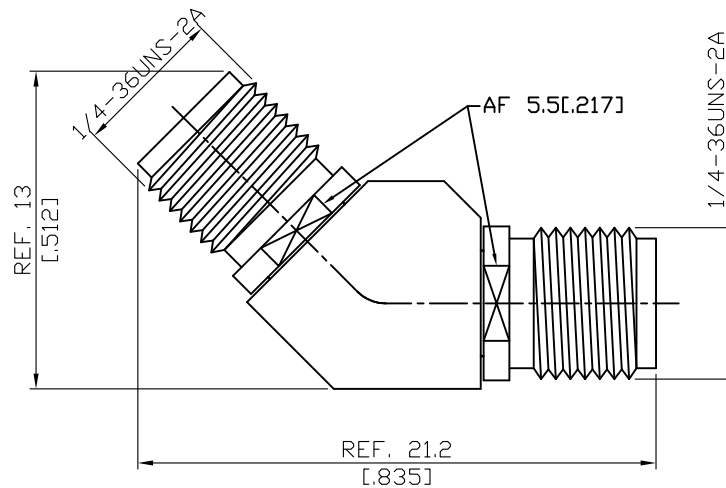


AD45S-K8K8-1.15

45° angle 2.92mm jack to 2.92mm jack  
40GHz VSWR 1.15

50Ω



Parts	Material	Plating ( Micro-inch )
Body	Stainless Steel	Passivated
Insulator	PPO	
Contact Pin	Beryllium Copper	Gold 4 Over Nickel-Phosphorus Alloy 80 Over Copper 20

This part number complies with RoHS.

Notice: JYEBAO reserves the right to make modifications deemed appropriate.

AD45S-K8K8-1.15	45° angle 2.92mm jack to 2.92mm jack 40GHz VSWR 1.15																
<table border="0"> <tr> <td colspan="2" data-bbox="129 342 531 394"><b>Interface</b></td> </tr> <tr> <td data-bbox="129 405 791 439">Standard</td> <td data-bbox="791 405 1482 439">MIL-STD-348B</td> </tr> <tr> <td data-bbox="129 450 791 483">Mechanically compatible with</td> <td data-bbox="791 450 1482 483">3.5 &amp; SMA</td> </tr> </table>		<b>Interface</b>		Standard	MIL-STD-348B	Mechanically compatible with	3.5 & SMA										
<b>Interface</b>																	
Standard	MIL-STD-348B																
Mechanically compatible with	3.5 & SMA																
<table border="0"> <tr> <td colspan="2" data-bbox="129 604 531 656"><b>Electrical Data</b></td> </tr> <tr> <td data-bbox="129 667 791 701">Impedance</td> <td data-bbox="791 667 1482 701">50Ω</td> </tr> <tr> <td data-bbox="129 712 791 745">Frequency Range</td> <td data-bbox="791 712 1482 745">DC to 40GHz</td> </tr> <tr> <td data-bbox="129 757 791 790">VSWR</td> <td data-bbox="791 757 1482 790">≤ 1.15 (DC To 40GHz)</td> </tr> <tr> <td data-bbox="129 801 791 835">Insertion Loss</td> <td data-bbox="791 801 1482 835">≤ 0.05 x √f(GHz) dB</td> </tr> <tr> <td data-bbox="129 846 791 880">Insulation Resistance</td> <td data-bbox="791 846 1482 880">≥ 5000MΩ</td> </tr> <tr> <td data-bbox="129 902 791 936">Dielectric Withstanding Voltage (at sea level)</td> <td data-bbox="791 902 1482 936">750 V rms</td> </tr> <tr> <td data-bbox="129 947 791 981">Working Voltage (at sea level)</td> <td data-bbox="791 947 1482 981">250 V rms</td> </tr> </table>		<b>Electrical Data</b>		Impedance	50Ω	Frequency Range	DC to 40GHz	VSWR	≤ 1.15 (DC To 40GHz)	Insertion Loss	≤ 0.05 x √f(GHz) dB	Insulation Resistance	≥ 5000MΩ	Dielectric Withstanding Voltage (at sea level)	750 V rms	Working Voltage (at sea level)	250 V rms
<b>Electrical Data</b>																	
Impedance	50Ω																
Frequency Range	DC to 40GHz																
VSWR	≤ 1.15 (DC To 40GHz)																
Insertion Loss	≤ 0.05 x √f(GHz) dB																
Insulation Resistance	≥ 5000MΩ																
Dielectric Withstanding Voltage (at sea level)	750 V rms																
Working Voltage (at sea level)	250 V rms																
<table border="0"> <tr> <td colspan="2" data-bbox="129 1102 531 1153"><b>Mechanical Data</b></td> </tr> <tr> <td data-bbox="129 1164 791 1198">Recommended Coupling Nut Torque</td> <td data-bbox="791 1164 1482 1198">11.47 in-lbs</td> </tr> <tr> <td data-bbox="129 1209 791 1243">Coupling Proof Torque</td> <td data-bbox="791 1209 1482 1243">15 in-lbs</td> </tr> <tr> <td data-bbox="129 1254 791 1288">Contact Captivation-axial</td> <td data-bbox="791 1254 1482 1288">≥ 4.9 lbs</td> </tr> <tr> <td data-bbox="129 1299 791 1332">Durability (mating)</td> <td data-bbox="791 1299 1482 1332">≥ 500</td> </tr> </table>		<b>Mechanical Data</b>		Recommended Coupling Nut Torque	11.47 in-lbs	Coupling Proof Torque	15 in-lbs	Contact Captivation-axial	≥ 4.9 lbs	Durability (mating)	≥ 500						
<b>Mechanical Data</b>																	
Recommended Coupling Nut Torque	11.47 in-lbs																
Coupling Proof Torque	15 in-lbs																
Contact Captivation-axial	≥ 4.9 lbs																
Durability (mating)	≥ 500																
<table border="0"> <tr> <td colspan="2" data-bbox="129 1453 531 1505"><b>Environmental Data</b></td> </tr> <tr> <td data-bbox="129 1516 791 1550">Temperature Range</td> <td data-bbox="791 1516 1482 1550">-55°C to +105°C</td> </tr> <tr> <td data-bbox="129 1561 791 1594">Thermal Shock</td> <td data-bbox="791 1561 1482 1594">MIL-STD-202, Method 107, Condition B</td> </tr> <tr> <td data-bbox="129 1606 791 1639">Moisture Resistance</td> <td data-bbox="791 1606 1482 1639">MIL-STD-202, Method 206</td> </tr> <tr> <td data-bbox="129 1650 791 1684">Corrosion</td> <td data-bbox="791 1650 1482 1684">MIL-STD-202, Method 101, Condition B</td> </tr> <tr> <td data-bbox="129 1695 791 1729">RoHS</td> <td data-bbox="791 1695 1482 1729">Compliant</td> </tr> </table>		<b>Environmental Data</b>		Temperature Range	-55°C to +105°C	Thermal Shock	MIL-STD-202, Method 107, Condition B	Moisture Resistance	MIL-STD-202, Method 206	Corrosion	MIL-STD-202, Method 101, Condition B	RoHS	Compliant				
<b>Environmental Data</b>																	
Temperature Range	-55°C to +105°C																
Thermal Shock	MIL-STD-202, Method 107, Condition B																
Moisture Resistance	MIL-STD-202, Method 206																
Corrosion	MIL-STD-202, Method 101, Condition B																
RoHS	Compliant																

# AD45S-K3K8-1.15

