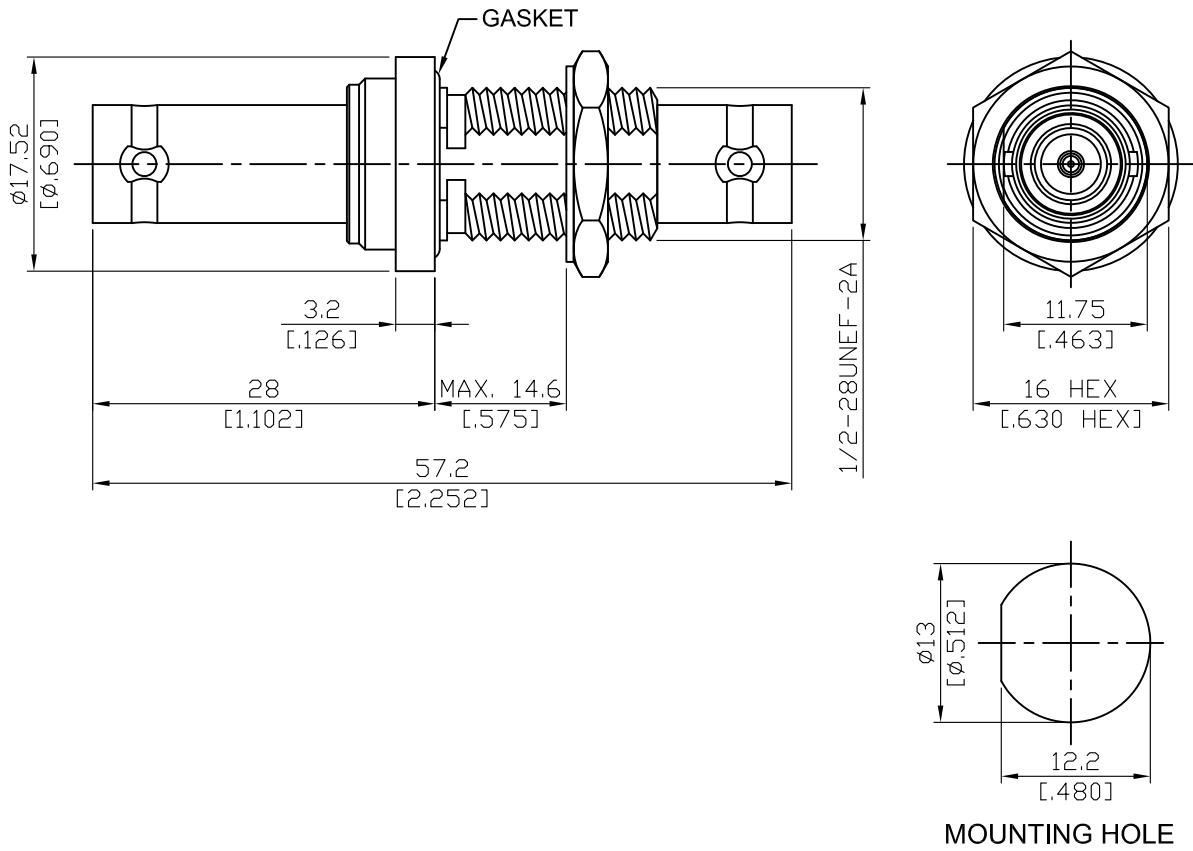


AD-V8V8-BF/HS

Hermetic 1×10^{-6} cc/sec of helium at 1atm
SHV Jack to SHV Jack Bulkhead, 0.3GHz VSWR 1.2

50Ω



Parts	Material	Plating (Micro-inch)
Body	Brass	Tin-Zinc-Copper-Alloy 100 Over Copper 50
Insulator	Teflon	
Contact Pin	Brass	Gold 4 Over Nickel-Phosphorus Alloy 80 Over Copper 20
Gasket	Silicone	

This part number complies with RoHS.

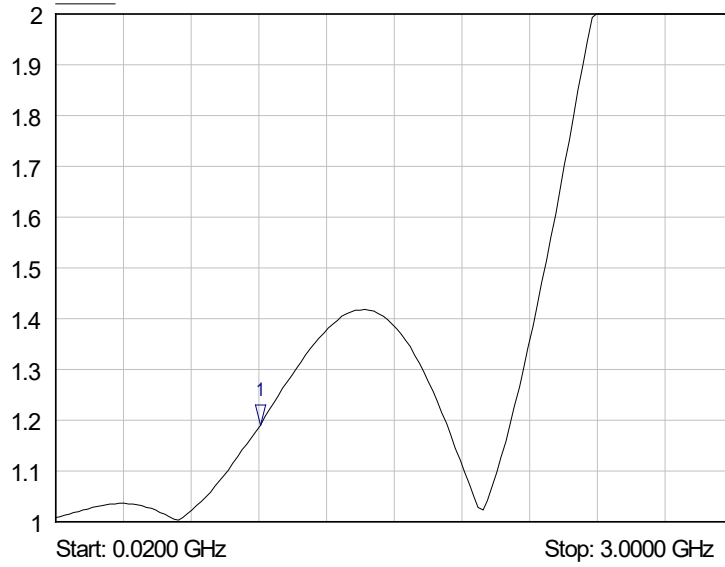
Notice: JYEBAO reserves the right to make modifications deemed appropriate.

AD-V8V8-BF/HS	Hermetic 1×10^{-6} cc/sec of helium at 1atm SHV Jack to SHV Jack Bulkhead, 0.3GHz VSWR 1.2
Interface	
Standard	MIL-STD-348B
Electrical Data	
Impedance	50 Ω
Frequency Range	DC to 0.3GHz
VSWR	≤ 1.2 (DC To 0.3GHz)
Insulation Resistance	$\geq 5000M\Omega$
Dielectric Withstanding Voltage (at sea level)	5000 V rms
Working Voltage (at sea level)	3500 V rms
Mechanical Data	
Recommended Coupling Nut Torque	0.6 to 2.5 in-lbs
Contact Captivation-axial	≥ 6.1 lbs
Durability (mating)	≥ 500
Environmental Data	
Temperature Range	-65°C to +165°C
Thermal Shock	MIL-STD-202, Method 107, Condition B
Moisture Resistance	MIL-STD-202, Method 206
Corrosion	MIL-STD-202, Method 101, Condition B
RoHS	Compliant

Notice: JYEBAO reserves the right to make modifications deemed appropriate.

AD-V8V8-BF/HS

SoftPlot Measurement Presentation
VSWR S11



1 S11
▽ 0.9200 GHz
1.19 VSWR