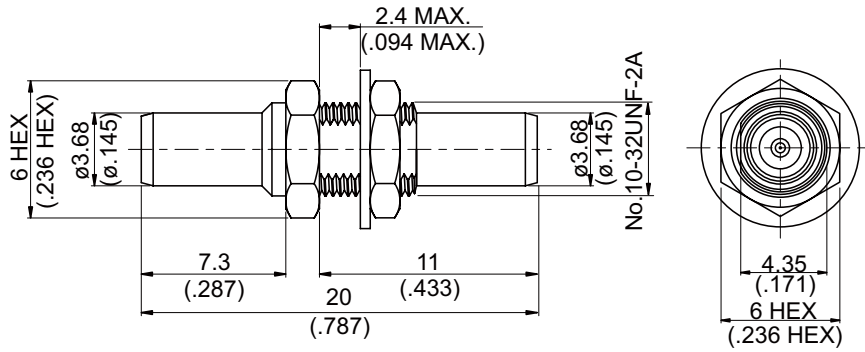


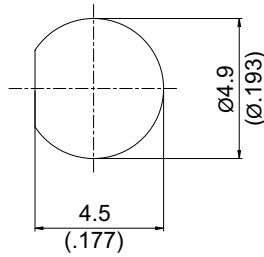
AD-SM8SM8-BF

SMS Jack To SMS Jack Bulkhead
4GHz VSWR 1.2

50Ω



MOUNTING HOLE:



Parts	Material	Plating (Micro-inch)
Contact Pin	Brass	Gold 4 Over Nickel-Phosphorus Alloy 80 Over Copper 20
Hex Nut	Brass	Gold 4 Over Nickel-Phosphorus Alloy 80 Over Copper 20
Washer	Brass	Gold 4 Over Nickel-Phosphorus Alloy 80 Over Copper 20
Insulator	Teflon	
Body	Brass	Gold 4 Over Nickel-Phosphorus Alloy 80 Over Copper 20

Weight: 4.25 g

This part number complies with RoHS.

Notice: JYEBAO reserves the right to make modifications deemed appropriate.

AD-SM8SM8-BF	SMS Jack To SMS Jack Bulkhead 4GHz VSWR 1.2
<div style="border: 1px solid black; padding: 2px; margin-bottom: 5px;">Interface</div> <p>Standard Jyebao SMS interface</p> <p>Mechanically compatible with SMB</p>	
<div style="border: 1px solid black; padding: 2px; margin-bottom: 5px;">Electrical Data</div> <p>Impedance 50Ω</p> <p>Frequency Range DC to 4GHz</p> <p>VSWR ≤ 1.2 (DC To 4GHz)</p> <p>Insertion Loss $\leq 0.1 \times \sqrt{f(\text{GHz})}$ dB</p> <p>Insulation Resistance $\geq 10000M\Omega$</p> <p>Dielectric Withstanding Voltage (at sea level) 750 V rms</p> <p>Working Voltage (at sea level) 250 V rms</p>	
<div style="border: 1px solid black; padding: 2px; margin-bottom: 5px;">Mechanical Data</div> <p>Engagement Force Typ 1.8 lbs</p> <p>Disengagement Force Typ 1.1 lbs</p> <p>Contact Captivation-axial ≥ 2.25 lbs</p> <p>Durability (mating) ≥ 500</p>	
<div style="border: 1px solid black; padding: 2px; margin-bottom: 5px;">Environmental Data</div> <p>Temperature Range -65°C to +165°C</p> <p>Thermal Shock MIL-STD-202, Method 107, Condition B</p> <p>Moisture Resistance MIL-STD-202, Method 206</p> <p>Corrosion MIL-STD-202, Method 101, Condition B</p> <p>RoHS Compliant</p>	

Notice: JYEBAO reserves the right to make modifications deemed appropriate.