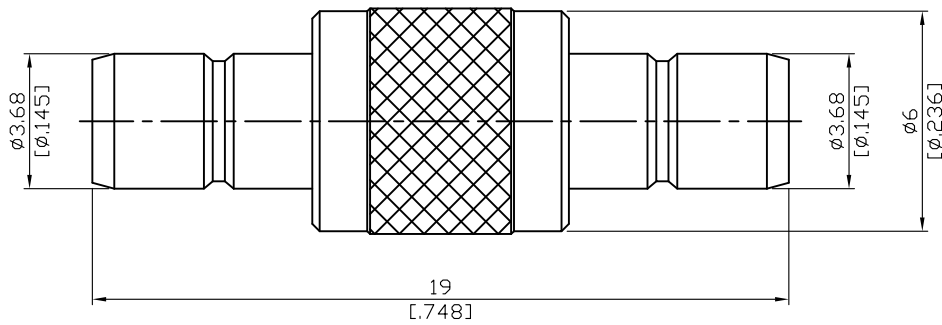


AD-S8S8-75-M

Mini SMB Jack To Jack  
4GHz VSWR 1.2

50Ω



Parts	Material	Plating ( Micro-inch )
Contact Pin	Brass	Gold 4 Over Nickel-Phosphorus Alloy 80 Over Copper 20
Insulator	Teflon	
Body	Brass	Gold 4 Over Nickel-Phosphorus Alloy 80 Over Copper 20

This part number complies with RoHS.

Notice: JYEBAO reserves the right to make modifications deemed appropriate.

AD-S8S8-75-M	Mini SMB Jack to Jack 4GHz VSWR 1.2
<div data-bbox="129 344 531 394" style="border: 1px solid black; padding: 2px;">Interface</div> <p data-bbox="129 405 264 439">Standard</p>	<p data-bbox="794 405 1251 439">Jyebao Mini-SMB 75Ω interface</p>
<div data-bbox="129 560 531 609" style="border: 1px solid black; padding: 2px;">Electrical Data</div> <p data-bbox="129 618 293 651">Impedance</p> <p data-bbox="129 663 389 696">Frequency Range</p> <p data-bbox="129 707 229 741">VSWR</p> <p data-bbox="129 752 331 786">Insertion Loss</p> <p data-bbox="129 797 437 831">Insulation Resistance</p> <p data-bbox="129 842 772 875">Dielectric Withstanding Voltage (at sea level)</p> <p data-bbox="129 887 564 920">Working Voltage (at sea level)</p>	<p data-bbox="794 618 858 651">75Ω</p> <p data-bbox="794 663 970 696">DC to 4GHz</p> <p data-bbox="794 707 1091 741">≤ 1.2 (DC To 4GHz)</p> <p data-bbox="794 752 1091 786">≤ 0.04 x √f(GHz) dB</p> <p data-bbox="794 797 970 831">≥ 10000MΩ</p> <p data-bbox="794 842 963 875">1000 V rms</p> <p data-bbox="794 887 948 920">335 V rms</p>
<div data-bbox="129 1008 531 1057" style="border: 1px solid black; padding: 2px;">Mechanical Data</div> <p data-bbox="129 1066 405 1099">Engagement Force</p> <p data-bbox="129 1111 453 1144">Disengagement Force</p> <p data-bbox="129 1155 491 1189">Contact Captivation-axial</p> <p data-bbox="129 1200 395 1234">Durability (mating)</p>	<p data-bbox="794 1066 1002 1099">1.8 to 14.2 lbs</p> <p data-bbox="794 1111 1002 1144">1.8 to 14.2 lbs</p> <p data-bbox="794 1155 900 1189">≥ 4 lbs</p> <p data-bbox="794 1200 884 1234">≥ 500</p>
<div data-bbox="129 1359 531 1408" style="border: 1px solid black; padding: 2px;">Environmental Data</div> <p data-bbox="129 1417 421 1451">Temperature Range</p> <p data-bbox="129 1462 352 1496">Thermal Shock</p> <p data-bbox="129 1507 424 1541">Moisture Resistance</p> <p data-bbox="129 1552 272 1585">Corrosion</p> <p data-bbox="129 1597 220 1630">RoHS</p>	<p data-bbox="794 1417 1034 1451">-65°C to +165°C</p> <p data-bbox="794 1462 1362 1496">MIL-STD-202, Method 107, Condition B</p> <p data-bbox="794 1507 1177 1541">MIL-STD-202, Method 206</p> <p data-bbox="794 1552 1362 1585">MIL-STD-202, Method 101, Condition B</p> <p data-bbox="794 1597 948 1630">Compliant</p>

Notice: JYEBAO reserves the right to make modifications deemed appropriate.

# AD-S8S8-75-M

