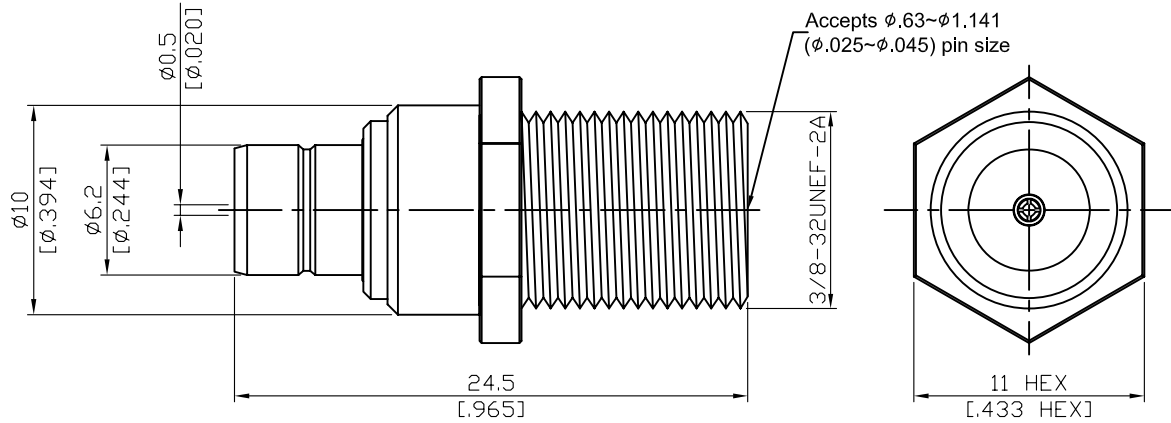


AD-S8F8-S	75Ω Standard SMB Jack To F Jack; 2GHz VSWR 1.2	75Ω
-----------	---	-----



Operating Temp: -40°C/+85°C

Parts	Material	Plating (Micro-inch)
Insulator	Teflon	
Contact Pin (F)	Beryllium Copper	Gold 4 Over Nickel-Phosphorus Alloy 80 Over Copper 20
Contact Pin (SMB)	Brass	Gold 4 Over Nickel-Phosphorus Alloy 80 Over Copper 20
Body (SMB)	Brass	Gold 4 Over Nickel-Phosphorus Alloy 80 Over Copper 20
Body (F)	Brass	Tin-Zinc-Copper-Alloy 100 Over Copper 50

Weight:	
---------	--

This part number complies with RoHS.

Notice: JYEBAO reserves the right to make modifications deemed appropriate.