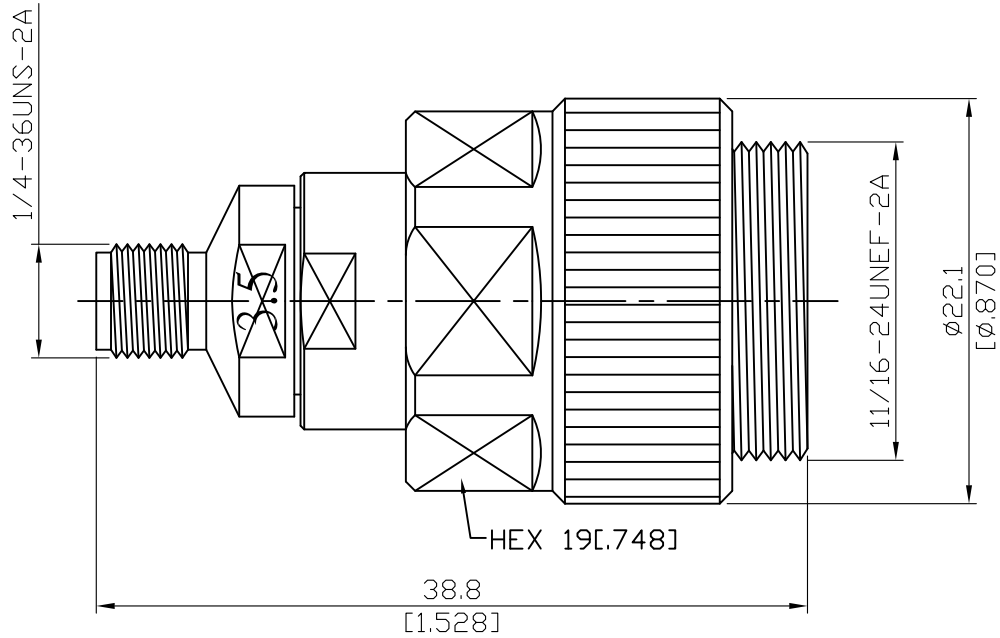


AD-PC8PC7	3.5mm Jack to 7mm 18GHz VSWR 1.15	50Ω
-----------	--------------------------------------	-----



Parts	Material	Plating (Micro-inch)
Coupling Nut	Stainless Steel	Passivated
Contact Body(7)	Brass	Tin-Zinc-Copper-Alloy 100 Over Copper 50
Body	Stainless Steel	Passivated
Contact Pin	Beryllium Copper	Gold 4 Over Nickel-Phosphorus Alloy 80 Over Copper 20
Insulator (7)	PPO	
Insulator (3.5)	PEI	

--	--

This part number complies with RoHS.

Notice: JYEBAO reserves the right to make modifications deemed appropriate.

AD-PC8PC7	3.5mm Jack to 7mm 18GHz VSWR 1.15	
Interface Standard Mechanically compatible with	3.5 IEC 60169-23 2.92 & SMA	7 IEC 457-2
Electrical Data Impedance Frequency Range VSWR Insertion Loss Insulation Resistance Dielectric Withstanding Voltage (at sea level) Working Voltage (at sea level)	50Ω DC To 18GHz ≤ 1.15 (DC To 18GHz) ≤ 0.05 x √f(GHz) dB ≥ 5000MΩ 1000 V rms 335 V rms	
Mechanical Data Recommended Coupling Nut Torque Coupling Proof Torque Contact Captivation-axial Durability (mating)	3.5 7.1 to 9.7 in-lbs 15 in-lbs ≥ 6.1 lbs ≥ 500	7 12 in-lbs 17.2 in-lbs ≥ 6.3 lbs ≥ 5000
Environmental Data Temperature Range Thermal Shock Moisture Resistance Corrosion RoHS	-40°C to +105°C MIL-STD-202, Method 107, Condition B MIL-STD-202, Method 206 MIL-STD-202, Method 101, Condition B Compliant	

Notice: JYEBAO reserves the right to make modifications deemed appropriate.