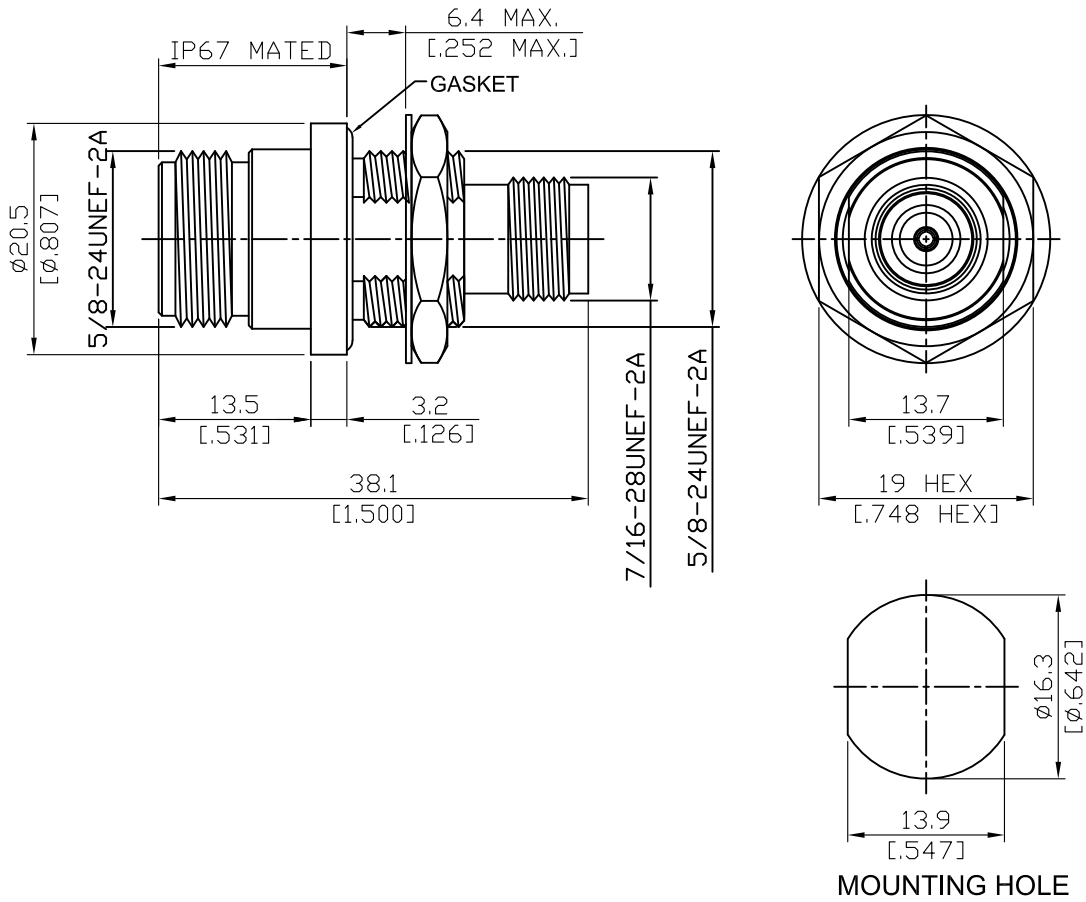


AD-N8T8-BF	N Jack To TNC Jack Bulkhead IP67 Mated; 11GHz VSWR 1.2	50Ω
------------	---	-----



Parts	Material	Plating ( Micro-inch )
Hex Nut	Brass	Tin-Zinc-Copper-Alloy 100 Over Copper 50
Lock Washer	Brass	Tin-Zinc-Copper-Alloy 100 Over Copper 50
Gasket	Silicone	
Body	Brass	Tin-Zinc-Copper-Alloy 100 Over Copper 50
Contact Pin	Beryllium Copper	Gold 4 Over Nickel-Phosphorus Alloy 80 Over Copper 20
Insulator	Teflon	

--	--

This part number complies with RoHS.  
 Notice: JYEBAO reserves the right to make modifications deemed appropriate.

AD-N8T8-BF		N Jack To TNC Jack Bulkhead IP67 Mated; 11GHz VSWR 1.2	
<b>Interface</b>		N	TNC
Standard		MIL-STD-348B	MIL-STD-348B
<b>Electrical Data</b>			
Impedance	50Ω		
Frequency Range	DC To 11GHz		
VSWR	≤ 1.2 (DC To 11GHz)		
Insertion Loss	≤ 0.05 x √f(GHz) dB		
Insulation Resistance	≥ 5000MΩ		
Dielectric Withstanding Voltage (at sea level)	1500 V rms		
Working Voltage (at sea level)	500 V rms		
<b>Mechanical Data</b>		N	TNC
Recommended Coupling Nut Torque	6 to 10 in-lbs	4.1 to 6.1 in-lbs	
Coupling Proof Torque	15 in-lbs	15 in-lbs	
Contact Captivation-axial	≥ 6.3 lbs	≥ 6.1 lbs	
Durability (mating)	≥ 500	≥ 500	
<b>Environmental Data</b>			
Temperature Range	-65°C to +165°C		
Thermal Shock	MIL-STD-202, Method 107, Condition B		
Moisture Resistance	MIL-STD-202, Method 206		
Corrosion	MIL-STD-202, Method 101, Condition B		
RoHS	Compliant		