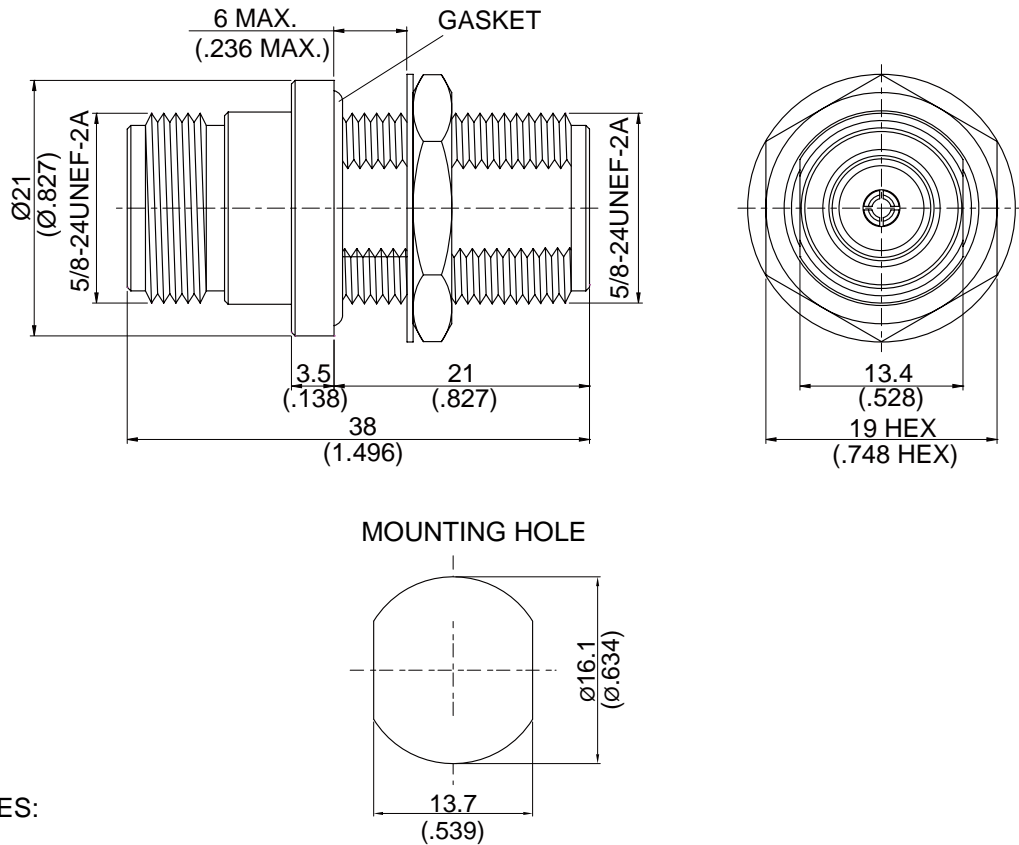


AD-N8N8-BF/HS/EPDM

Hermetic 1×10^{-6} cc/sec of helium at 1atm 50Ω
N Jack To N Jack Bulkhead; 11GHz VSWR 1.2



NOTES:

- (1) 1×10^{-6} atm cc/sec Hermeticity
- (2) Has a EPDM gamma-radiation resistant washer.

Parts	Material	Plating (Micro-inch)
Gasket	Silicon	
Hex Nut	Brass	Tin-Zinc-Copper-Alloy 100 Over Copper 50
Washer	EPDM	
Body	Brass	Tin-Zinc-Copper-Alloy 100 Over Copper 50
Contact Pin	Beryllium Copper	Gold 4 Over Nickel-Phosphorus Alloy 80 Over Copper 20
Insulator	Teflon	

This part number complies with RoHS.

Notice: JYBAO reserves the right to make modifications deemed appropriate.

AD-N8N8-BF/HS/EPDM	Hermetic 1*10 ⁻⁶ cc/sec of helium at 1atm N Jack To N Jack Bulkhead; 11GHz VSWR 1.2
<div data-bbox="129 344 531 394" style="border: 1px solid black; padding: 2px;">Interface</div> <p data-bbox="129 405 264 439">Standard</p>	<p data-bbox="794 405 1011 439">MIL-STD-348B</p>
<div data-bbox="129 562 531 611" style="border: 1px solid black; padding: 2px;">Electrical Data</div> <p data-bbox="129 618 293 651">Impedance</p> <p data-bbox="129 663 389 696">Frequency Range</p> <p data-bbox="129 707 229 741">VSWR</p> <p data-bbox="129 752 331 786">Insertion Loss</p> <p data-bbox="129 797 437 831">Insulation Resistance</p> <p data-bbox="129 842 772 875">Dielectric Withstanding Voltage (at sea level)</p> <p data-bbox="129 887 564 920">Working Voltage (at sea level)</p>	<p data-bbox="794 618 858 651">50Ω</p> <p data-bbox="794 663 991 696">DC to 11GHz</p> <p data-bbox="794 707 1107 741">≤ 1.2 (DC To 11GHz)</p> <p data-bbox="794 752 1086 786">≤ 0.05 x √f(GHz) dB</p> <p data-bbox="794 797 954 831">≥ 5000MΩ</p> <p data-bbox="794 842 963 875">2500 V rms</p> <p data-bbox="794 887 963 920">1000 V rms</p>
<div data-bbox="129 1059 531 1108" style="border: 1px solid black; padding: 2px;">Mechanical Data</div> <p data-bbox="129 1115 655 1149">Recommended Coupling Nut Torque</p> <p data-bbox="129 1160 459 1193">Coupling Proof Torque</p> <p data-bbox="129 1205 491 1238">Contact Captivation-axial</p> <p data-bbox="129 1249 395 1283">Durability (mating)</p>	<p data-bbox="794 1115 986 1149">6 to 10 in-lbs</p> <p data-bbox="794 1160 927 1193">15 in-lbs</p> <p data-bbox="794 1205 932 1238">≥ 6.3 lbs</p> <p data-bbox="794 1249 890 1283">≥ 500</p>
<div data-bbox="129 1458 531 1507" style="border: 1px solid black; padding: 2px;">Environmental Data</div> <p data-bbox="129 1514 421 1547">Temperature Range</p> <p data-bbox="129 1559 352 1592">Thermal Shock</p> <p data-bbox="129 1603 424 1637">Moisture Resistance</p> <p data-bbox="129 1648 272 1682">Corrosion</p> <p data-bbox="129 1693 220 1727">RoHS</p>	<p data-bbox="794 1514 1034 1547">-40°C to +120°C</p> <p data-bbox="794 1559 1362 1592">MIL-STD-202, Method 107, Condition B</p> <p data-bbox="794 1603 1177 1637">MIL-STD-202, Method 206</p> <p data-bbox="794 1648 1362 1682">MIL-STD-202, Method 101, Condition B</p> <p data-bbox="794 1693 943 1727">Compliant</p>

Notice: JYEBAO reserves the right to make modifications deemed appropriate.