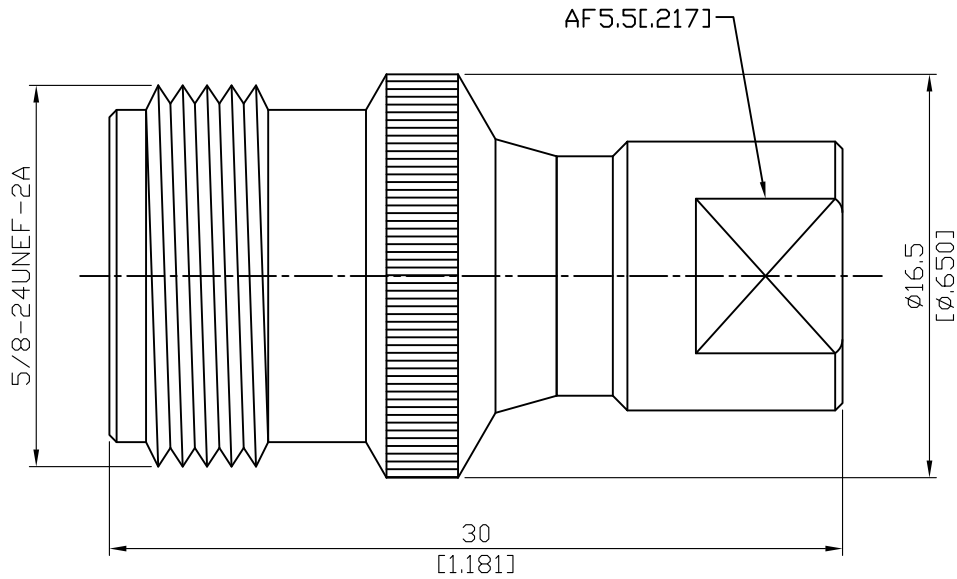


AD-N8FME3	N Jack To FME Plug 2GHz VSWR 1.2	50Ω
-----------	-------------------------------------	-----



Parts	Material	Plating (Micro-inch)
Contact Pin	Beryllium Copper	Gold 4 Over Nickel-Phosphorus Alloy 80 Over Copper 20
Insulator	Teflon	
Body	Brass	Tin-Zinc-Copper-Alloy 100 Over Copper 50

--	--

This part number complies with RoHS.

Notice: JYEBAO reserves the right to make modifications deemed appropriate.

AD-N8FME3	N Jack To FME Plug 2GHz VSWR 1.2											
<div style="border: 1px solid black; padding: 2px;">Interface</div> <p>Standard</p>	N MIL-STD-348B	FME Jyebao FME series										
<div style="border: 1px solid black; padding: 2px;">Electrical Data</div> <p>Impedance Frequency Range VSWR Insertion Loss Insulation Resistance Dielectric Withstanding Voltage (at sea level) Working Voltage (at sea level)</p>	<p>50Ω DC To 2GHz ≤ 1.2 (DC To 2GHz) ≤ 0.05 x √f(GHz) dB ≥ 5000MΩ 1000 V rms 500 V rms</p>											
<div style="border: 1px solid black; padding: 2px;">Mechanical Data</div> <p>Recommended Coupling Nut Torque Coupling Proof Torque Contact Captivation-axial Durability (mating)</p>	<table border="1"> <thead> <tr> <th>N</th> <th>FME</th> </tr> </thead> <tbody> <tr> <td>6 to 10 in-lbs</td> <td>≤ 17 in-lbs</td> </tr> <tr> <td>15 in-lbs</td> <td>NA</td> </tr> <tr> <td>≥ 6.3 lbs</td> <td>NA</td> </tr> <tr> <td>≥ 500</td> <td>≥ 300</td> </tr> </tbody> </table>	N	FME	6 to 10 in-lbs	≤ 17 in-lbs	15 in-lbs	NA	≥ 6.3 lbs	NA	≥ 500	≥ 300	
N	FME											
6 to 10 in-lbs	≤ 17 in-lbs											
15 in-lbs	NA											
≥ 6.3 lbs	NA											
≥ 500	≥ 300											
<div style="border: 1px solid black; padding: 2px;">Environmental Data</div> <p>Temperature Range Thermal Shock Moisture Resistance Corrosion RoHS</p>	<p>-55°C to +155°C MIL-STD-202, Method 107, Condition B MIL-STD-202, Method 206 MIL-STD-202, Method 101, Condition B Compliant</p>											

Notice: JYEBAO reserves the right to make modifications deemed appropriate.