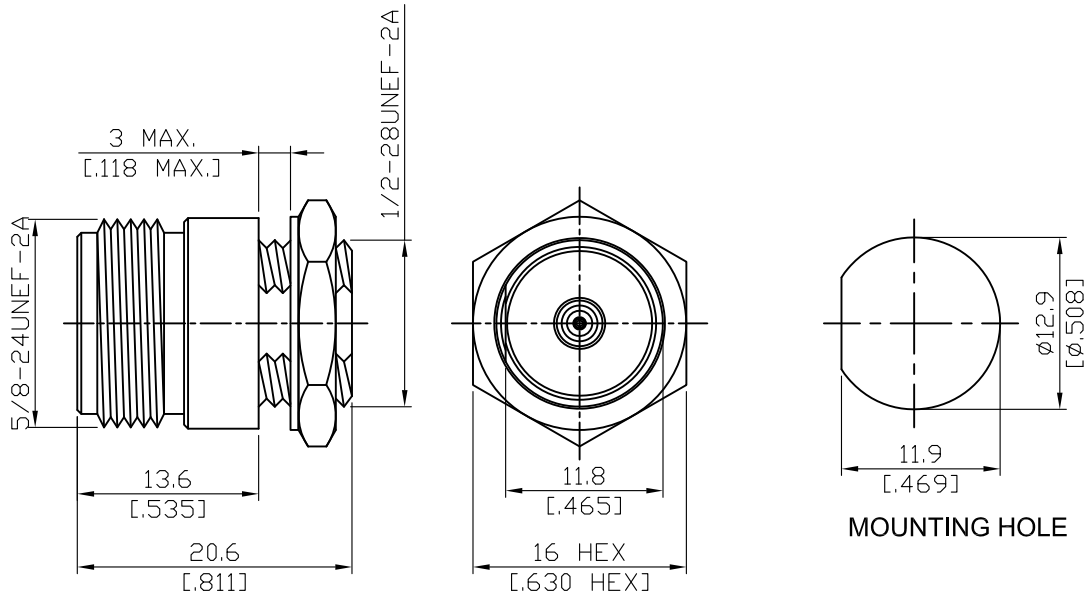


AD-N8D8-BF

N Jack To MCX Jack Bulkhead
6GHz VSWR 1.2

50Ω



Parts	Material	Plating (Micro-inch)
Hex Nut	Brass	Tin-Zinc-Copper-Alloy 100 Over Copper 50
Lock Washer	Brass	Tin-Zinc-Copper-Alloy 100 Over Copper 50
Contact Pin	Beryllium Copper	Gold 4 Over Nickel-Phosphorus Alloy 80 Over Copper 20
Insulator	Teflon	
Body	Brass	Tin-Zinc-Copper-Alloy 100 Over Copper 50

This part number complies with RoHS.

Notice: JYEBAO reserves the right to make modifications deemed appropriate.

AD-N8D8-BF	N Jack To MCX Jack Bulkhead 6GHz VSWR 1.2															
Interface Standard	<table border="1"> <thead> <tr> <th data-bbox="780 344 1123 394">N</th> <th data-bbox="1123 344 1481 394">MCX</th> </tr> </thead> <tbody> <tr> <td data-bbox="780 394 1123 443">MIL-STD-348B</td> <td data-bbox="1123 394 1481 443">IEC 61169-36</td> </tr> </tbody> </table>	N	MCX	MIL-STD-348B	IEC 61169-36											
N	MCX															
MIL-STD-348B	IEC 61169-36															
Electrical Data Impedance Frequency Range VSWR Insulation Resistance Dielectric Withstanding Voltage (at sea level) Working Voltage (at sea level)	<table> <tbody> <tr> <td>50Ω</td> </tr> <tr> <td>DC To 6GHz</td> </tr> <tr> <td>≤ 1.2 (DC To 6GHz)</td> </tr> <tr> <td>≥ 5000MΩ</td> </tr> <tr> <td>750 V rms</td> </tr> <tr> <td>250 V rms</td> </tr> </tbody> </table>		50Ω	DC To 6GHz	≤ 1.2 (DC To 6GHz)	≥ 5000MΩ	750 V rms	250 V rms								
50Ω																
DC To 6GHz																
≤ 1.2 (DC To 6GHz)																
≥ 5000MΩ																
750 V rms																
250 V rms																
Mechanical Data Recommended Coupling Nut Torque Coupling Proof Torque Engagement Force Disengagement Force Contact Captivation-axial Durability (mating)	<table border="1"> <thead> <tr> <th data-bbox="780 1061 1123 1111">N</th> <th data-bbox="1123 1061 1481 1111">MCX</th> </tr> </thead> <tbody> <tr> <td data-bbox="780 1111 1123 1160">6 to 10 in-lbs</td> <td data-bbox="1123 1111 1481 1160">NA</td> </tr> <tr> <td data-bbox="780 1160 1123 1209">15 in-lbs</td> <td data-bbox="1123 1160 1481 1209">NA</td> </tr> <tr> <td data-bbox="780 1209 1123 1258">NA</td> <td data-bbox="1123 1209 1481 1258">≤ 5.6 lbs</td> </tr> <tr> <td data-bbox="780 1258 1123 1308">NA</td> <td data-bbox="1123 1258 1481 1308">1.8 to 4.5 lbs</td> </tr> <tr> <td data-bbox="780 1308 1123 1357">≥ 6.3 lbs</td> <td data-bbox="1123 1308 1481 1357">≥ 2.3 lbs</td> </tr> <tr> <td data-bbox="780 1357 1123 1406">≥ 500</td> <td data-bbox="1123 1357 1481 1406">≥ 500</td> </tr> </tbody> </table>		N	MCX	6 to 10 in-lbs	NA	15 in-lbs	NA	NA	≤ 5.6 lbs	NA	1.8 to 4.5 lbs	≥ 6.3 lbs	≥ 2.3 lbs	≥ 500	≥ 500
N	MCX															
6 to 10 in-lbs	NA															
15 in-lbs	NA															
NA	≤ 5.6 lbs															
NA	1.8 to 4.5 lbs															
≥ 6.3 lbs	≥ 2.3 lbs															
≥ 500	≥ 500															
Environmental Data Temperature Range Thermal Shock Moisture Resistance Corrosion RoHS	<table> <tbody> <tr> <td>-55°C to +155°C</td> </tr> <tr> <td>MIL-STD-202, Method 107, Condition B</td> </tr> <tr> <td>MIL-STD-202, Method 206</td> </tr> <tr> <td>MIL-STD-202, Method 101, Condition B</td> </tr> <tr> <td>Compliant</td> </tr> </tbody> </table>		-55°C to +155°C	MIL-STD-202, Method 107, Condition B	MIL-STD-202, Method 206	MIL-STD-202, Method 101, Condition B	Compliant									
-55°C to +155°C																
MIL-STD-202, Method 107, Condition B																
MIL-STD-202, Method 206																
MIL-STD-202, Method 101, Condition B																
Compliant																

Notice: JYEBAO reserves the right to make modifications deemed appropriate.