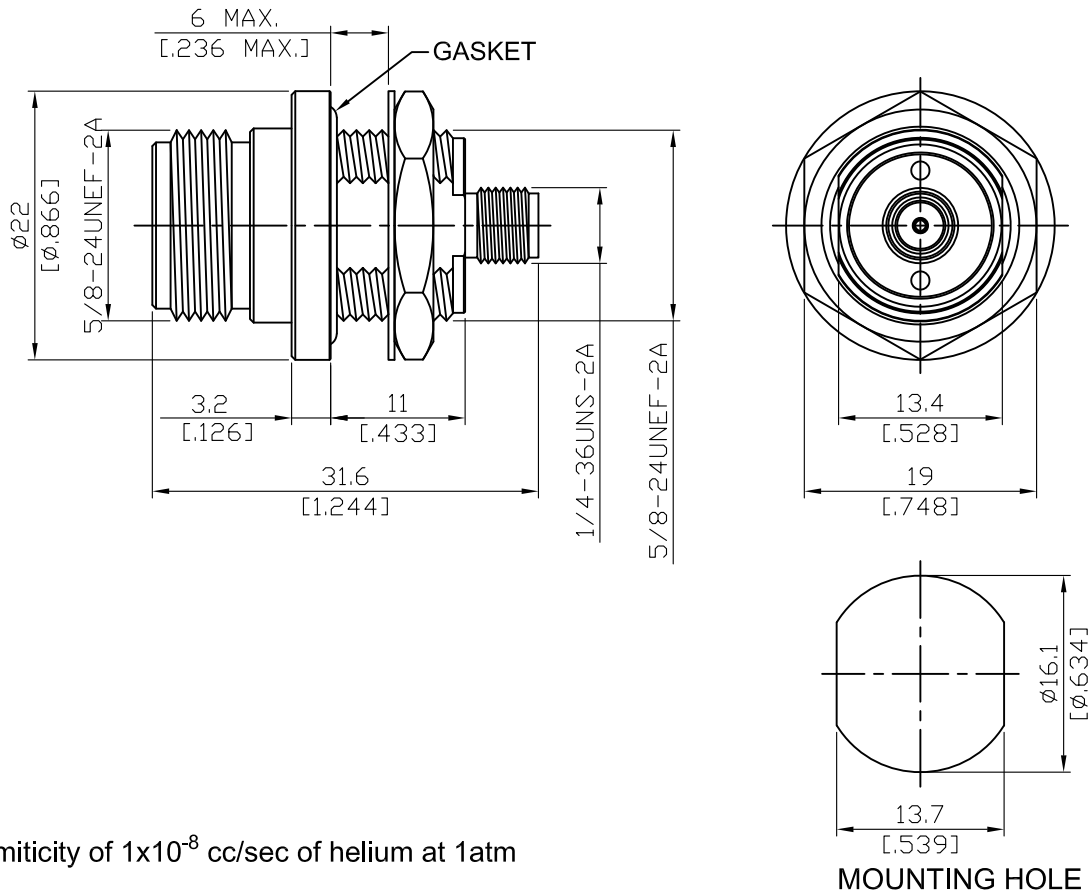


AD-N8A8-BF-GB/11

Hermetic 1×10^{-8} cc/sec of helium at 1atm
N jack to SMA jack bulkhead; 11GHz VSWR 1.35

50Ω



Parts	Material	Plating (Micro-inch)
Hex Nut	Brass	Tin-Zinc-Copper-Alloy 100 Over Copper 50
Lock Washer	Brass	Tin-Zinc-Copper-Alloy 100 Over Copper 50
Gasket	Silicone	
Glass Bead	Kovar+Glass	Gold 4 Over Nickel-Phosphorus Alloy 80 Over Copper 20
Contact Pin	Beryllium Copper	Gold 4 Over Nickel-Phosphorus Alloy 80 Over Copper 20
Insulator	Teflon	
Body	Brass	Gold 4 Over Nickel-Phosphorus Alloy 80 Over Copper 20

This part number complies with RoHS.

Notice: JYEBAO reserves the right to make modifications deemed appropriate.

AD-N8A8-BF-GB/11	Hermetic 1*10 ⁻⁸ cc/sec of helium at 1atm N jack to SMA jack bulkhead; 11GHz VSWR 1.35															
Interface Standard Mechanically compatible with	<table border="1"> <thead> <tr> <th data-bbox="780 344 1123 394">SMA</th> <th data-bbox="1123 344 1479 394">N</th> </tr> </thead> <tbody> <tr> <td data-bbox="780 394 1123 443">MIL-STD-348B</td> <td data-bbox="1123 394 1479 443">MIL-STD-348B</td> </tr> <tr> <td data-bbox="780 443 1123 492">2.92 & 3.5</td> <td data-bbox="1123 443 1479 492"></td> </tr> </tbody> </table>	SMA	N	MIL-STD-348B	MIL-STD-348B	2.92 & 3.5										
SMA	N															
MIL-STD-348B	MIL-STD-348B															
2.92 & 3.5																
Electrical Data Impedance Frequency Range VSWR Insertion Loss Insulation Resistance Dielectric Withstanding Voltage (at sea level) Working Voltage (at sea level)	<table border="1"> <tbody> <tr> <td data-bbox="780 656 1123 705">50Ω</td> <td data-bbox="1123 656 1479 705"></td> </tr> <tr> <td data-bbox="780 705 1123 754">DC To 11GHz</td> <td data-bbox="1123 705 1479 754"></td> </tr> <tr> <td data-bbox="780 754 1123 804">≤ 1.35 (DC To 11GHz)</td> <td data-bbox="1123 754 1479 804"></td> </tr> <tr> <td data-bbox="780 804 1123 853">≤ 0.05 x √f(GHz) dB</td> <td data-bbox="1123 804 1479 853"></td> </tr> <tr> <td data-bbox="780 853 1123 902">≥ 5000MΩ</td> <td data-bbox="1123 853 1479 902"></td> </tr> <tr> <td data-bbox="780 902 1123 952">1500 V rms</td> <td data-bbox="1123 902 1479 952"></td> </tr> <tr> <td data-bbox="780 952 1123 1001">500 V rms</td> <td data-bbox="1123 952 1479 1001"></td> </tr> </tbody> </table>		50Ω		DC To 11GHz		≤ 1.35 (DC To 11GHz)		≤ 0.05 x √f(GHz) dB		≥ 5000MΩ		1500 V rms		500 V rms	
50Ω																
DC To 11GHz																
≤ 1.35 (DC To 11GHz)																
≤ 0.05 x √f(GHz) dB																
≥ 5000MΩ																
1500 V rms																
500 V rms																
Mechanical Data Recommended Coupling Nut Torque Coupling Proof Torque Contact Captivation-axial Durability (mating)	<table border="1"> <thead> <tr> <th data-bbox="780 1160 1123 1209">SMA</th> <th data-bbox="1123 1160 1479 1209">N</th> </tr> </thead> <tbody> <tr> <td data-bbox="780 1209 1123 1258">4 in-lbs</td> <td data-bbox="1123 1209 1479 1258">6 to 10 in-lbs</td> </tr> <tr> <td data-bbox="780 1258 1123 1308">5.3 in-lbs</td> <td data-bbox="1123 1258 1479 1308">15 in-lbs</td> </tr> <tr> <td data-bbox="780 1308 1123 1357">≥ 6.1 lbs</td> <td data-bbox="1123 1308 1479 1357">≥ 6.3 lbs</td> </tr> <tr> <td data-bbox="780 1357 1123 1406">≥ 100</td> <td data-bbox="1123 1357 1479 1406">≥ 500</td> </tr> </tbody> </table>		SMA	N	4 in-lbs	6 to 10 in-lbs	5.3 in-lbs	15 in-lbs	≥ 6.1 lbs	≥ 6.3 lbs	≥ 100	≥ 500				
SMA	N															
4 in-lbs	6 to 10 in-lbs															
5.3 in-lbs	15 in-lbs															
≥ 6.1 lbs	≥ 6.3 lbs															
≥ 100	≥ 500															
Environmental Data Temperature Range Thermal Shock Moisture Resistance Corrosion RoHS	<table border="1"> <tbody> <tr> <td data-bbox="780 1606 1123 1655">-65°C to +165°C</td> <td data-bbox="1123 1606 1479 1655"></td> </tr> <tr> <td data-bbox="780 1655 1123 1704">MIL-STD-202, Method 107, Condition B</td> <td data-bbox="1123 1655 1479 1704"></td> </tr> <tr> <td data-bbox="780 1704 1123 1753">MIL-STD-202, Method 206</td> <td data-bbox="1123 1704 1479 1753"></td> </tr> <tr> <td data-bbox="780 1753 1123 1803">MIL-STD-202, Method 101, Condition B</td> <td data-bbox="1123 1753 1479 1803"></td> </tr> <tr> <td data-bbox="780 1803 1123 1852">Compliant</td> <td data-bbox="1123 1803 1479 1852"></td> </tr> </tbody> </table>		-65°C to +165°C		MIL-STD-202, Method 107, Condition B		MIL-STD-202, Method 206		MIL-STD-202, Method 101, Condition B		Compliant					
-65°C to +165°C																
MIL-STD-202, Method 107, Condition B																
MIL-STD-202, Method 206																
MIL-STD-202, Method 101, Condition B																
Compliant																