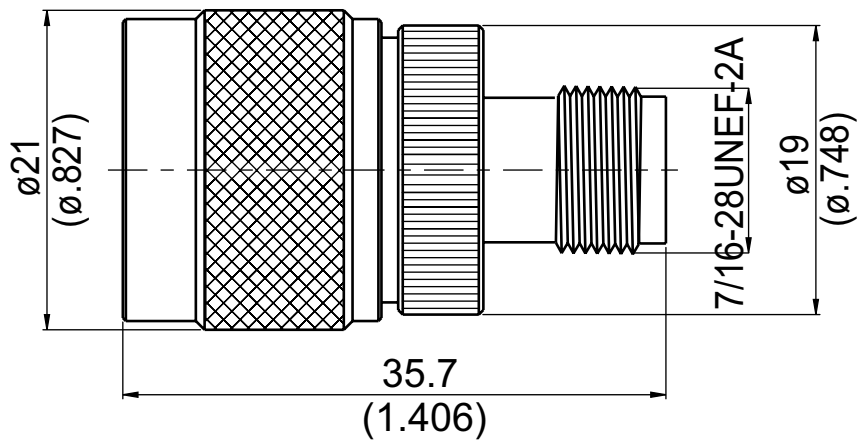


AD-N3T9

N Plug To TNC Reverse Polarity Jack
6GHz VSWR 1.2

50Ω



Parts	Material	Plating (Micro-inch)
Retainer Ring	Brass	Tin-Zinc-Copper-Alloy 100 Over Copper 50
Gasket	Silicone	
Contact Body	Brass	Tin-Zinc-Copper-Alloy 100 Over Copper 50
Center Pin	Brass	Gold 4 Over Nickel-Phosphorus Alloy 80 Over Copper 20
Insulator	Teflon	
Body	Brass	Tin-Zinc-Copper-Alloy 100 Over Copper 50
Coupling Nut	Brass	Tin-Zinc-Copper-Alloy 100 Over Copper 50

Weight: 40.66 g

This part number complies with RoHS.

Notice: JYEBAO reserves the right to make modifications deemed appropriate.

AD-N3T9	N Plug To TNC Reverse Polarity Jack 6GHz VSWR 1.2																			
<div data-bbox="129 344 528 392" style="border: 1px solid black; padding: 2px;">Interface</div> <p>Standard Polarity N Plug Side: Per MIL-STD-348B</p> <p>Reverse Polarity TNC Jack Side: Per JYEBAO TNC Reverse Polarity Jack derived from MIL-STD-348B</p>																				
<div data-bbox="129 698 528 745" style="border: 1px solid black; padding: 2px;">Electrical Data</div> <table border="0" style="width: 100%;"> <tr> <td style="width: 50%;">Impedance</td> <td style="width: 50%;">50Ω</td> </tr> <tr> <td>Frequency Range</td> <td>DC To 6GHz</td> </tr> <tr> <td>VSWR</td> <td>≤ 1.2 (DC To 6GHz)</td> </tr> <tr> <td>Insertion Loss</td> <td>≤ 0.05 x √f(GHz) dB</td> </tr> <tr> <td>Insulation Resistance</td> <td>≥ 5000MΩ</td> </tr> <tr> <td>Dielectric Withstanding Voltage (at sea level)</td> <td>1500 V rms</td> </tr> <tr> <td>Working Voltage (at sea level)</td> <td>500 V rms</td> </tr> </table>			Impedance	50Ω	Frequency Range	DC To 6GHz	VSWR	≤ 1.2 (DC To 6GHz)	Insertion Loss	≤ 0.05 x √f(GHz) dB	Insulation Resistance	≥ 5000MΩ	Dielectric Withstanding Voltage (at sea level)	1500 V rms	Working Voltage (at sea level)	500 V rms				
Impedance	50Ω																			
Frequency Range	DC To 6GHz																			
VSWR	≤ 1.2 (DC To 6GHz)																			
Insertion Loss	≤ 0.05 x √f(GHz) dB																			
Insulation Resistance	≥ 5000MΩ																			
Dielectric Withstanding Voltage (at sea level)	1500 V rms																			
Working Voltage (at sea level)	500 V rms																			
<div data-bbox="129 1198 528 1245" style="border: 1px solid black; padding: 2px;">Mechanical Data</div> <table border="1" style="width: 100%; border-collapse: collapse;"> <thead> <tr> <th style="width: 50%;"></th> <th style="width: 25%;">N</th> <th style="width: 25%;">TNC</th> </tr> </thead> <tbody> <tr> <td>Recommended Coupling Nut Torque</td> <td style="text-align: center;">6 to 10 in-lbs</td> <td style="text-align: center;">4.1 to 6.1 in-lbs</td> </tr> <tr> <td>Coupling Proof Torque</td> <td style="text-align: center;">15 in-lbs</td> <td style="text-align: center;">15 in-lbs</td> </tr> <tr> <td>Coupling Nut Retention Force</td> <td style="text-align: center;">≥ 101.2 lbs</td> <td style="text-align: center;">NA</td> </tr> <tr> <td>Contact Captivation-axial</td> <td style="text-align: center;">≥ 6.3 lbs</td> <td style="text-align: center;">≥ 6.1 lbs</td> </tr> <tr> <td>Durability (mating)</td> <td style="text-align: center;">≥ 500</td> <td style="text-align: center;">≥ 500</td> </tr> </tbody> </table>				N	TNC	Recommended Coupling Nut Torque	6 to 10 in-lbs	4.1 to 6.1 in-lbs	Coupling Proof Torque	15 in-lbs	15 in-lbs	Coupling Nut Retention Force	≥ 101.2 lbs	NA	Contact Captivation-axial	≥ 6.3 lbs	≥ 6.1 lbs	Durability (mating)	≥ 500	≥ 500
	N	TNC																		
Recommended Coupling Nut Torque	6 to 10 in-lbs	4.1 to 6.1 in-lbs																		
Coupling Proof Torque	15 in-lbs	15 in-lbs																		
Coupling Nut Retention Force	≥ 101.2 lbs	NA																		
Contact Captivation-axial	≥ 6.3 lbs	≥ 6.1 lbs																		
Durability (mating)	≥ 500	≥ 500																		
<div data-bbox="129 1601 528 1648" style="border: 1px solid black; padding: 2px;">Environmental Data</div> <table border="0" style="width: 100%;"> <tr> <td style="width: 50%;">Temperature Range</td> <td style="width: 50%;">-65°C to +165°C</td> </tr> <tr> <td>Thermal Shock</td> <td>MIL-STD-202, Method 107, Condition B</td> </tr> <tr> <td>Moisture Resistance</td> <td>MIL-STD-202, Method 206</td> </tr> <tr> <td>Corrosion</td> <td>MIL-STD-202, Method 101, Condition B</td> </tr> <tr> <td>RoHS</td> <td>Compliant</td> </tr> </table>			Temperature Range	-65°C to +165°C	Thermal Shock	MIL-STD-202, Method 107, Condition B	Moisture Resistance	MIL-STD-202, Method 206	Corrosion	MIL-STD-202, Method 101, Condition B	RoHS	Compliant								
Temperature Range	-65°C to +165°C																			
Thermal Shock	MIL-STD-202, Method 107, Condition B																			
Moisture Resistance	MIL-STD-202, Method 206																			
Corrosion	MIL-STD-202, Method 101, Condition B																			
RoHS	Compliant																			

Notice: JYEBAO reserves the right to make modifications deemed appropriate.