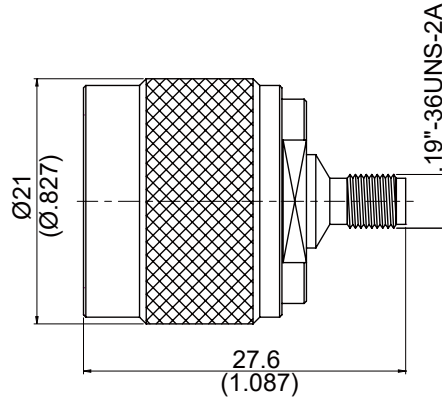


AD-N3SA8

N Plug To SSMA Jack
11GHz VSWR 1.2

50Ω



Parts	Material	Plating (Micro-inch)
Retainer Ring	Brass	Tin-Zinc-Copper-Alloy 100 Over Copper 50
Gasket	Silicone	
Contact Pin	Beryllium Copper	Gold 4 Over Nickel-Phosphorus Alloy 80 Over Copper 20
Insulator	Teflon	
Body (SSMA)	Brass	Gold 4 Over Nickel-Phosphorus Alloy 80 Over Copper 20
Body (N)	Brass	Tin-Zinc-Copper-Alloy 100 Over Copper 50
Coupling Nut	Brass	Tin-Zinc-Copper-Alloy 100 Over Copper 50

Weight: 30.9 g

This part number complies with RoHS.

Notice: JYEBAO reserves the right to make modifications deemed appropriate.

AD-N3SA8		N Plug To SSMA Jack 11GHz VSWR 1.2	
Interface		N	SSMA
Standard		MIL-STD-348B	MIL-STD-348B
Electrical Data			
Impedance	50Ω		
Frequency Range	DC To 11GHz		
VSWR	≤ 1.2 (DC To 11GHz)		
Insertion Loss	≤ 0.05 x √f(GHz) dB		
Insulation Resistance	≥ 5000MΩ		
Dielectric Withstanding Voltage (at sea level)	750 V rms		
Working Voltage (at sea level)	250 V rms		
Mechanical Data			
	N	SSMA	
Recommended Coupling Nut Torque	6 to 10 in-lbs	4 in-lbs	
Coupling Proof Torque	15 in-lbs	5 in-lbs	
Coupling Nut Retention Force	≥ 101.2 lbs	NA	
Contact Captivation-axial	≥ 6.3 lbs	≥ 5 lbs	
Durability (mating)	≥ 500	≥ 500	
Environmental Data			
Temperature Range	-65°C to +165°C		
Thermal Shock	MIL-STD-202, Method 107, Condition B		
Moisture Resistance	MIL-STD-202, Method 206		
Corrosion	MIL-STD-202, Method 101, Condition B		
RoHS	Compliant		

Notice: JYEBAO reserves the right to make modifications deemed appropriate.