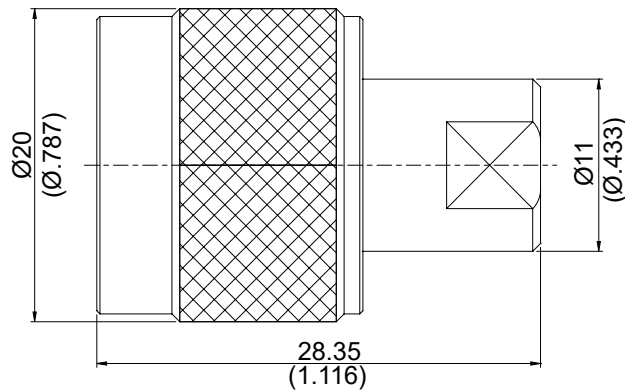


AD-N3FME3/PR

N Plug To FME Plug  
2GHz VSWR 1.2

50Ω



Parts	Material	Plating (Micro-inch)
Renber Ring	Brass	Tin-Zinc-Copper-Alloy 100 Over Copper 50
Gasket	Silicon	
Contact Pin	Brass	Gold 4 Over Nickel-Phosphorus Alloy 80 Over Copper 20
Insulator	Teflon	
Body	Brass	Tin-Zinc-Copper-Alloy 100 Over Copper 50
Coupling Nut	Brass	Tin-Zinc-Copper-Alloy 100 Over Copper 50

Weight:

This part number complies with RoHS.

Notice: JYEBAO reserves the right to make modifications deemed appropriate.

AD-N3FME3/PR		N Plug To FME Plug 2GHz VSWR 1.2	
<div style="border: 1px solid black; padding: 2px;">Interface</div>		N	FME
Standard		MIL-STD-348B	Jyebao FME series
<div style="border: 1px solid black; padding: 2px;">Electrical Data</div>			
Impedance	50Ω		
Frequency Range	DC To 2GHz		
VSWR	≤ 1.2 (DC To 2GHz)		
Insertion Loss	≤ 0.05 x √f(GHz) dB		
Insulation Resistance	≥ 5000MΩ		
Dielectric Withstanding Voltage (at sea level)	1000 V rms		
Working Voltage (at sea level)	500 V rms		
<div style="border: 1px solid black; padding: 2px;">Mechanical Data</div>			
	N	FME	
Recommended Coupling Nut Torque	6 to 10 in-lbs	≤ 17 in-lbs	
Coupling Proof Torque	15 in-lbs	NA	
Coupling Nut Retention Force	≥ 101.2 lbs	NA	
Contact Captivation-axial	≥ 6.3 lbs	NA	
Durability (mating)	≥ 500	≥ 300	
<div style="border: 1px solid black; padding: 2px;">Environmental Data</div>			
Temperature Range	-55°C to +155°C		
Thermal Shock	MIL-STD-202, Method 107, Condition B		
Moisture Resistance	MIL-STD-202, Method 206		
Corrosion	MIL-STD-202, Method 101, Condition B		
RoHS	Compliant		

Notice: JYEBAO reserves the right to make modifications deemed appropriate.