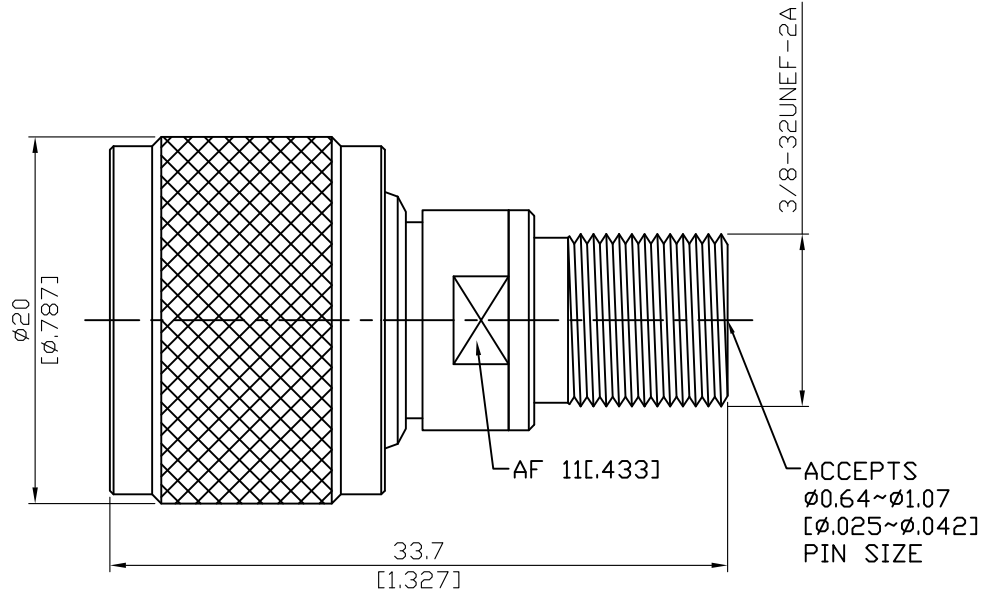


AD-N3F8	N Plug To F Jack 6GHz VSWR 1.2	75Ω
---------	-----------------------------------	-----



Parts	Material	Plating ( Micro-inch )
Contact Pin	Beryllium Copper	Gold 4 Over Nickel-Phosphorus Alloy 80 Over Copper 20
Insulator (N side)	Teflon	
Insulator (F side)	PE	
Body	Brass	Tin-Zinc-Copper-Alloy 100 Over Copper 50
Coupling Nut	Brass	Tin-Zinc-Copper-Alloy 100 Over Copper 50
Gasket	Silicone	

Weight: 24.83 g	
-----------------	--

This part number complies with RoHS.

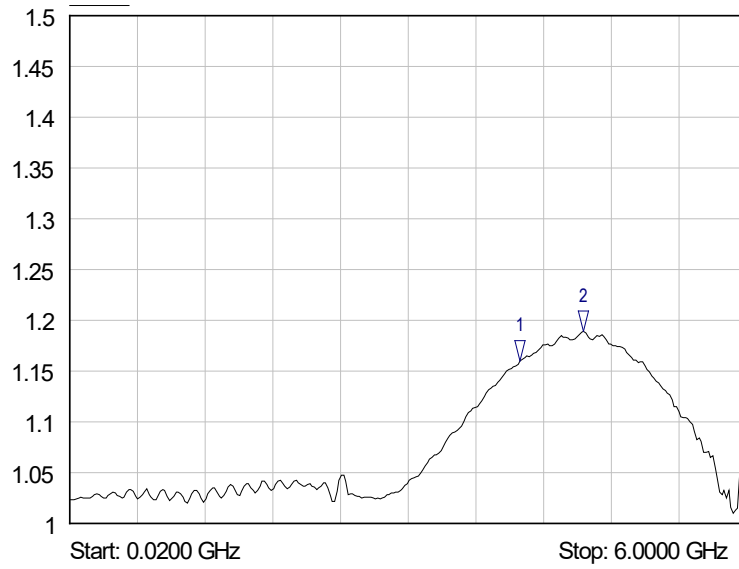
Notice: JYEBAO reserves the right to make modifications deemed appropriate.

AD-N3F8	N Plug To F Jack 6GHz VSWR 1.2	
<div style="border: 1px solid black; padding: 2px;">Interface</div> <p>Standard</p>	N	F
	MIL-STD-348B	IEC 61169-24
<div style="border: 1px solid black; padding: 2px;">Electrical Data</div> <p>Impedance</p> <p>Frequency Range</p> <p>VSWR</p> <p>Insulation Resistance</p> <p>Dielectric Withstanding Voltage (at sea level)</p> <p>Working Voltage (at sea level)</p>	<p>75Ω</p> <p>DC To 6GHz</p> <p>≤ 1.2 (DC To 6GHz)</p> <p>≥ 5000MΩ</p> <p>1500 V rms</p> <p>500 V rms</p>	
<div style="border: 1px solid black; padding: 2px;">Mechanical Data</div> <p>Recommended Coupling Nut Torque</p> <p>Coupling Proof Torque</p> <p>Coupling Nut Retention Force</p> <p>Contact Captivation-axial</p> <p>Durability (mating)</p> <p>Accepts male pin size</p>	N	F
	6 to 10 in-lbs	15 to 20 in-lbs
	15 in-lbs	60 in-lbs
	≥ 101.2 lbs	NA
	≥ 6.3 lbs	NA
	≥ 500	≥ 500
		Φ0.64~Φ1.07 (Φ.025~Φ.042)
<div style="border: 1px solid black; padding: 2px;">Environmental Data</div> <p>Temperature Range</p> <p>Thermal Shock</p> <p>Moisture Resistance</p> <p>Corrosion</p> <p>RoHS</p>	<p>-40°C to +80°C</p> <p>MIL-STD-202, Method 107, Condition B</p> <p>MIL-STD-202, Method 206</p> <p>MIL-STD-202, Method 101, Condition B</p> <p>Compliant</p>	

Notice: JYEBAO reserves the right to make modifications deemed appropriate.

# AD-N3F8

SoftPlot Measurement Presentation  
VSWR S11



- 1 S11
- ▽ 4.0000 GHz  
1.16 VSWR
- 2 S11
- ▽ 4.5600 GHz  
1.19 VSWR