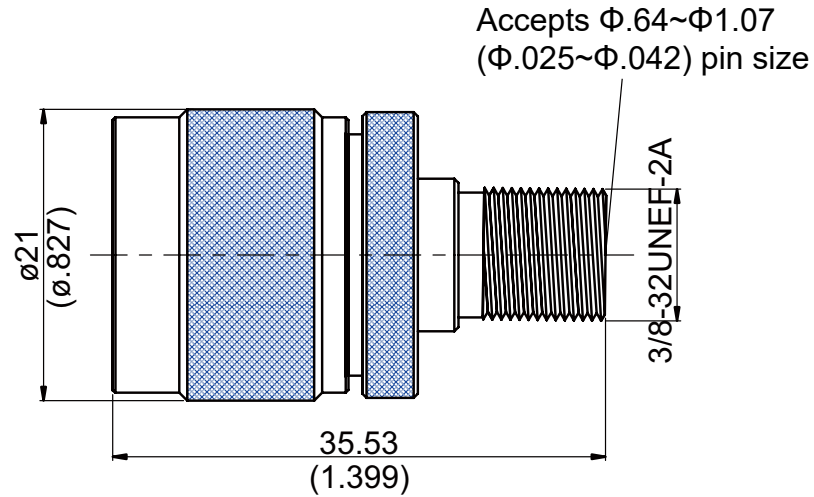


AD-N3F8-50/75

**N plug 50ohm to F jack 75ohm
(impedance mismatch)**



Parts	Material	Plating (Micro-inch)
Retainer Ring	Brass	Tin-Zinc-Copper-Alloy 100 Over Copper 50
Gasket	Silicon	
Contact Pin	Beryllium Copper	Gold 4 Over Nickel-Phosphorus Alloy 80 Over Copper 20
Insulator	Teflon	
Body	Brass	Tin-Zinc-Copper-Alloy 100 Over Copper 50
Coupling Nut	Brass	Tin-Zinc-Copper-Alloy 100 Over Copper 50

Weight:

This part number complies with RoHS.

Notice: JYBAO reserves the right to make modifications deemed appropriate.

AD-N3F8-50/75	N plug 50ohm to F jack 75ohm (impedance mismatch)	
Interface Standard	N MIL-STD-348B	F IEC 61169-24
Electrical Data Impedance Frequency Range Insulation Resistance Dielectric Withstanding Voltage (at sea level) Working Voltage (at sea level)	N side 50Ω ; F side 75Ω DC To 2GHz ≥5000MΩ 1500 V rms 500 V rms	
Mechanical Data Recommended Coupling Nut Torque Coupling Proof Torque Coupling Nut Retention Force Contact Captivation-axial Durability (mating) Accepts male pin size	N 6 to 10 in-lbs 15 in-lbs ≥ 101.2 lbs ≥ 6.3 lbs ≥ 500	F 15 to 20 in-lbs 60 in-lbs NA NA ≥ 500 Φ0.64~Φ1.07 (Φ.025~Φ.042)
Environmental Data Temperature Range Thermal Shock Moisture Resistance Corrosion RoHS	-65°C to +165°C MIL-STD-202, Method 107, Condition B MIL-STD-202, Method 206 MIL-STD-202, Method 101, Condition B Compliant	

Notice: JYEBAO reserves the right to make modifications deemed appropriate.