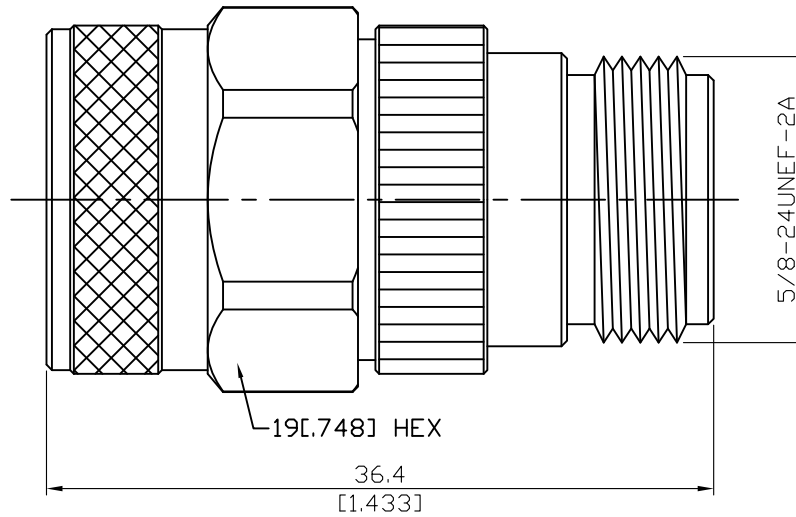


AD-N3AN8	N Plug to N Jack 11GHz VSWR 1.2	50Ω
----------	------------------------------------	-----



Parts	Material	Plating (Micro-inch)
Coupling Nut	Brass	Tin-Zinc-Copper-Alloy 100 Over Copper 50
Body	Brass	Tin-Zinc-Copper-Alloy 100 Over Copper 50
Insulator	Teflon	
Contact Pin	Beryllium Copper	Gold 4 Over Nickel-Phosphorus Alloy 80 Over Copper 20
Contact body	Brass	Tin-Zinc-Copper-Alloy 100 Over Copper 50
Gasket	Silicone	
Retainer Ring	Brass	Tin-Zinc-Copper-Alloy 100 Over Copper 50

--	--

This part number complies with RoHS.

Notice: JYEBAO reserves the right to make modifications deemed appropriate.

AD-N3AN8	N Plug to N Jack 11GHz VSWR 1.2																
<table border="0"> <tr> <td data-bbox="129 342 531 394">Interface</td> <td></td> </tr> <tr> <td data-bbox="129 394 531 580">Standard</td> <td data-bbox="531 394 1481 580">MIL-STD-348B</td> </tr> </table>		Interface		Standard	MIL-STD-348B												
Interface																	
Standard	MIL-STD-348B																
<table border="0"> <tr> <td data-bbox="129 604 531 656">Electrical Data</td> <td></td> </tr> <tr> <td data-bbox="129 656 531 701">Impedance</td> <td data-bbox="531 656 1481 701">50Ω</td> </tr> <tr> <td data-bbox="129 701 531 745">Frequency Range</td> <td data-bbox="531 701 1481 745">DC to 11GHz</td> </tr> <tr> <td data-bbox="129 745 531 790">VSWR</td> <td data-bbox="531 745 1481 790">≤ 1.2 (DC To 11GHz)</td> </tr> <tr> <td data-bbox="129 790 531 835">Insertion Loss</td> <td data-bbox="531 790 1481 835">≤ 0.05 x √f(GHz) dB</td> </tr> <tr> <td data-bbox="129 835 531 880">Insulation Resistance</td> <td data-bbox="531 835 1481 880">≥ 5000MΩ</td> </tr> <tr> <td data-bbox="129 880 531 925">Dielectric Withstanding Voltage (at sea level)</td> <td data-bbox="531 880 1481 925">2500 V rms</td> </tr> <tr> <td data-bbox="129 925 531 969">Working Voltage (at sea level)</td> <td data-bbox="531 925 1481 969">1000 V rms</td> </tr> </table>		Electrical Data		Impedance	50Ω	Frequency Range	DC to 11GHz	VSWR	≤ 1.2 (DC To 11GHz)	Insertion Loss	≤ 0.05 x √f(GHz) dB	Insulation Resistance	≥ 5000MΩ	Dielectric Withstanding Voltage (at sea level)	2500 V rms	Working Voltage (at sea level)	1000 V rms
Electrical Data																	
Impedance	50Ω																
Frequency Range	DC to 11GHz																
VSWR	≤ 1.2 (DC To 11GHz)																
Insertion Loss	≤ 0.05 x √f(GHz) dB																
Insulation Resistance	≥ 5000MΩ																
Dielectric Withstanding Voltage (at sea level)	2500 V rms																
Working Voltage (at sea level)	1000 V rms																
<table border="0"> <tr> <td data-bbox="129 1102 531 1153">Mechanical Data</td> <td></td> </tr> <tr> <td data-bbox="129 1153 531 1198">Recommended Coupling Nut Torque</td> <td data-bbox="531 1153 1481 1198">6 to 10 in-lbs</td> </tr> <tr> <td data-bbox="129 1198 531 1243">Coupling Proof Torque</td> <td data-bbox="531 1198 1481 1243">15 in-lbs</td> </tr> <tr> <td data-bbox="129 1243 531 1288">Coupling Nut Retention Force</td> <td data-bbox="531 1243 1481 1288">≥ 101.2 lbs</td> </tr> <tr> <td data-bbox="129 1288 531 1332">Contact Captivation-axial</td> <td data-bbox="531 1288 1481 1332">≥ 6.3 lbs</td> </tr> <tr> <td data-bbox="129 1332 531 1377">Durability (mating)</td> <td data-bbox="531 1332 1481 1377">≥ 500</td> </tr> </table>		Mechanical Data		Recommended Coupling Nut Torque	6 to 10 in-lbs	Coupling Proof Torque	15 in-lbs	Coupling Nut Retention Force	≥ 101.2 lbs	Contact Captivation-axial	≥ 6.3 lbs	Durability (mating)	≥ 500				
Mechanical Data																	
Recommended Coupling Nut Torque	6 to 10 in-lbs																
Coupling Proof Torque	15 in-lbs																
Coupling Nut Retention Force	≥ 101.2 lbs																
Contact Captivation-axial	≥ 6.3 lbs																
Durability (mating)	≥ 500																
<table border="0"> <tr> <td data-bbox="129 1503 531 1554">Environmental Data</td> <td></td> </tr> <tr> <td data-bbox="129 1554 531 1599">Temperature Range</td> <td data-bbox="531 1554 1481 1599">-65°C to +165°C</td> </tr> <tr> <td data-bbox="129 1599 531 1644">Thermal Shock</td> <td data-bbox="531 1599 1481 1644">MIL-STD-202, Method 107, Condition B</td> </tr> <tr> <td data-bbox="129 1644 531 1688">Moisture Resistance</td> <td data-bbox="531 1644 1481 1688">MIL-STD-202, Method 206</td> </tr> <tr> <td data-bbox="129 1688 531 1733">Corrosion</td> <td data-bbox="531 1688 1481 1733">MIL-STD-202, Method 101, Condition B</td> </tr> <tr> <td data-bbox="129 1733 531 1778">RoHS</td> <td data-bbox="531 1733 1481 1778">Compliant</td> </tr> </table>		Environmental Data		Temperature Range	-65°C to +165°C	Thermal Shock	MIL-STD-202, Method 107, Condition B	Moisture Resistance	MIL-STD-202, Method 206	Corrosion	MIL-STD-202, Method 101, Condition B	RoHS	Compliant				
Environmental Data																	
Temperature Range	-65°C to +165°C																
Thermal Shock	MIL-STD-202, Method 107, Condition B																
Moisture Resistance	MIL-STD-202, Method 206																
Corrosion	MIL-STD-202, Method 101, Condition B																
RoHS	Compliant																

Notice: JYEBAO reserves the right to make modifications deemed appropriate.