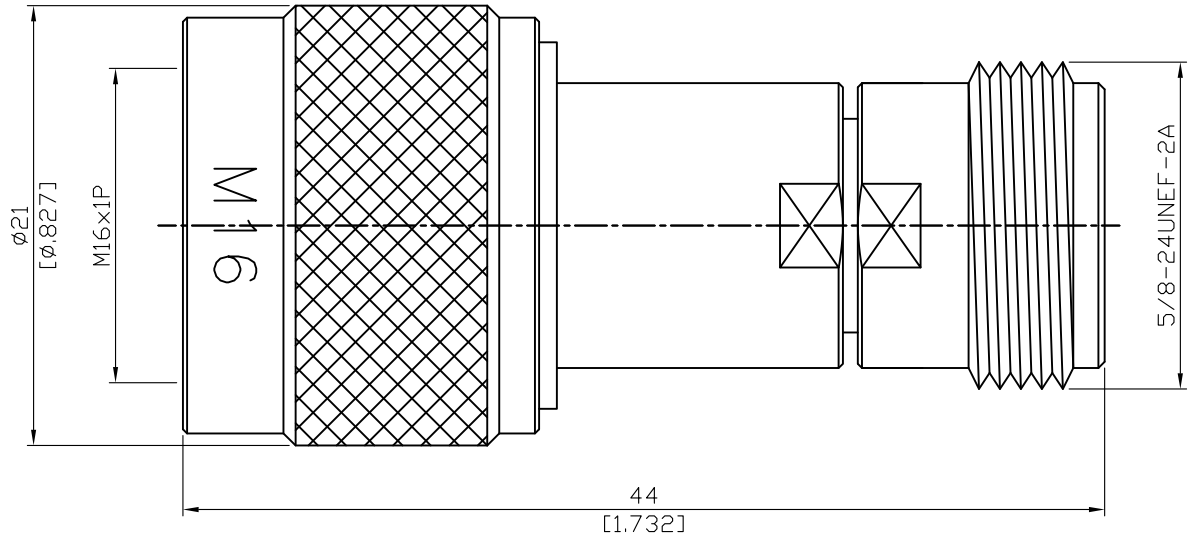


AD-N3(M16)N8-18

N Plug With Metric Thread To N Jack
18GHz VSWR 1.2

50Ω



N plug has metric thread

Parts	Material	Plating (Micro-inch)
Contact Pin	Beryllium Copper	Gold 4 Over Nickel-Phosphorus Alloy 80 Over Copper 20
Retainer Ring	Brass	Tin-Zinc-Copper-Alloy 100 Over Copper 50
Gasket	Silicone	
Holder	Brass	Gold 4 Over Nickel-Phosphorus Alloy 80 Over Copper 20
Insulator	PPO	
Body	Brass	Tin-Zinc-Copper-Alloy 100 Over Copper 50
Coupling Nut	Brass	Tin-Zinc-Copper-Alloy 100 Over Copper 50

This part number complies with RoHS.

Notice: JYEBAO reserves the right to make modifications deemed appropriate.

AD-N3(M16)N8-18	N Plug With Metric Thread To N Jack 18GHz VSWR 1.2																
<table border="0"> <tr> <td data-bbox="129 342 531 394">Interface</td> <td></td> </tr> <tr> <td data-bbox="129 394 791 577">Standard</td> <td data-bbox="791 394 1479 577">MIL-STD-348B</td> </tr> </table>		Interface		Standard	MIL-STD-348B												
Interface																	
Standard	MIL-STD-348B																
<table border="0"> <tr> <td data-bbox="129 602 531 654">Electrical Data</td> <td></td> </tr> <tr> <td data-bbox="129 654 791 696">Impedance</td> <td data-bbox="791 654 1479 696">50Ω</td> </tr> <tr> <td data-bbox="129 696 791 739">Frequency Range</td> <td data-bbox="791 696 1479 739">DC to 18GHz</td> </tr> <tr> <td data-bbox="129 739 791 784">VSWR</td> <td data-bbox="791 739 1479 784">≤ 1.2 (DC To 18GHz)</td> </tr> <tr> <td data-bbox="129 784 791 828">Insertion Loss</td> <td data-bbox="791 784 1479 828">≤ 0.05 x √f(GHz) dB</td> </tr> <tr> <td data-bbox="129 828 791 873">Insulation Resistance</td> <td data-bbox="791 828 1479 873">≥ 5000MΩ</td> </tr> <tr> <td data-bbox="129 873 791 918">Dielectric Withstanding Voltage (at sea level)</td> <td data-bbox="791 873 1479 918">2500 V rms</td> </tr> <tr> <td data-bbox="129 918 791 963">Working Voltage (at sea level)</td> <td data-bbox="791 918 1479 963">1000 V rms</td> </tr> </table>		Electrical Data		Impedance	50Ω	Frequency Range	DC to 18GHz	VSWR	≤ 1.2 (DC To 18GHz)	Insertion Loss	≤ 0.05 x √f(GHz) dB	Insulation Resistance	≥ 5000MΩ	Dielectric Withstanding Voltage (at sea level)	2500 V rms	Working Voltage (at sea level)	1000 V rms
Electrical Data																	
Impedance	50Ω																
Frequency Range	DC to 18GHz																
VSWR	≤ 1.2 (DC To 18GHz)																
Insertion Loss	≤ 0.05 x √f(GHz) dB																
Insulation Resistance	≥ 5000MΩ																
Dielectric Withstanding Voltage (at sea level)	2500 V rms																
Working Voltage (at sea level)	1000 V rms																
<table border="0"> <tr> <td data-bbox="129 1102 531 1153">Mechanical Data</td> <td></td> </tr> <tr> <td data-bbox="129 1153 791 1198">Recommended Coupling Nut Torque</td> <td data-bbox="791 1153 1479 1198">6 to 10 in-lbs</td> </tr> <tr> <td data-bbox="129 1198 791 1243">Coupling Proof Torque</td> <td data-bbox="791 1198 1479 1243">15 in-lbs</td> </tr> <tr> <td data-bbox="129 1243 791 1288">Coupling Nut Retention Force</td> <td data-bbox="791 1243 1479 1288">≥ 101.2 lbs</td> </tr> <tr> <td data-bbox="129 1288 791 1332">Contact Captivation-axial</td> <td data-bbox="791 1288 1479 1332">≥ 6.3 lbs</td> </tr> <tr> <td data-bbox="129 1332 791 1377">Durability (mating)</td> <td data-bbox="791 1332 1479 1377">≥ 500</td> </tr> </table>		Mechanical Data		Recommended Coupling Nut Torque	6 to 10 in-lbs	Coupling Proof Torque	15 in-lbs	Coupling Nut Retention Force	≥ 101.2 lbs	Contact Captivation-axial	≥ 6.3 lbs	Durability (mating)	≥ 500				
Mechanical Data																	
Recommended Coupling Nut Torque	6 to 10 in-lbs																
Coupling Proof Torque	15 in-lbs																
Coupling Nut Retention Force	≥ 101.2 lbs																
Contact Captivation-axial	≥ 6.3 lbs																
Durability (mating)	≥ 500																
<table border="0"> <tr> <td data-bbox="129 1503 531 1554">Environmental Data</td> <td></td> </tr> <tr> <td data-bbox="129 1554 791 1599">Temperature Range</td> <td data-bbox="791 1554 1479 1599">-55°C to +105°C</td> </tr> <tr> <td data-bbox="129 1599 791 1644">Thermal Shock</td> <td data-bbox="791 1599 1479 1644">MIL-STD-202, Method 107, Condition B</td> </tr> <tr> <td data-bbox="129 1644 791 1688">Moisture Resistance</td> <td data-bbox="791 1644 1479 1688">MIL-STD-202, Method 206</td> </tr> <tr> <td data-bbox="129 1688 791 1733">Corrosion</td> <td data-bbox="791 1688 1479 1733">MIL-STD-202, Method 101, Condition B</td> </tr> <tr> <td data-bbox="129 1733 791 1778">RoHS</td> <td data-bbox="791 1733 1479 1778">Compliant</td> </tr> </table>		Environmental Data		Temperature Range	-55°C to +105°C	Thermal Shock	MIL-STD-202, Method 107, Condition B	Moisture Resistance	MIL-STD-202, Method 206	Corrosion	MIL-STD-202, Method 101, Condition B	RoHS	Compliant				
Environmental Data																	
Temperature Range	-55°C to +105°C																
Thermal Shock	MIL-STD-202, Method 107, Condition B																
Moisture Resistance	MIL-STD-202, Method 206																
Corrosion	MIL-STD-202, Method 101, Condition B																
RoHS	Compliant																

Notice: JYEBAO reserves the right to make modifications deemed appropriate.

AD-N3(M16)N8-18

