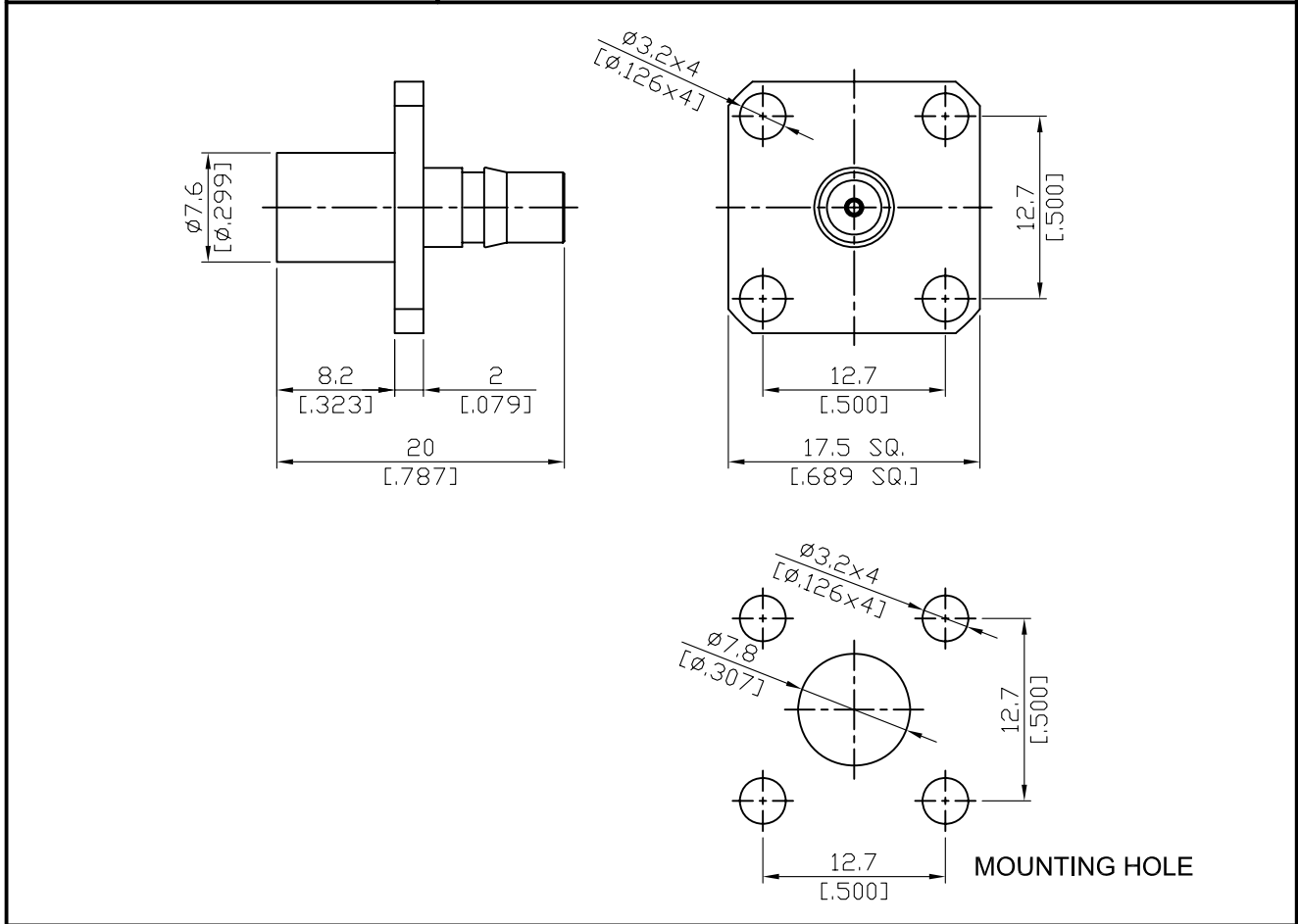


AD-J8Q8-P4	BMA Jack To QMA Jack 4 Hole Flange 18GHz VSWR1.2	50Ω
------------	---	-----



Parts	Material	Plating (Micro-inch)
Spring Ring	Beryllium Copper	Gold 4 Over Nickel-Phosphorus Alloy 80 Over Copper 20
Contact Pin	Beryllium Copper	Gold 4 Over Nickel-Phosphorus Alloy 80 Over Copper 20
Insulator	Teflon	
Body	Brass	Tin-Zinc-Copper-Alloy 100 Over Copper 50

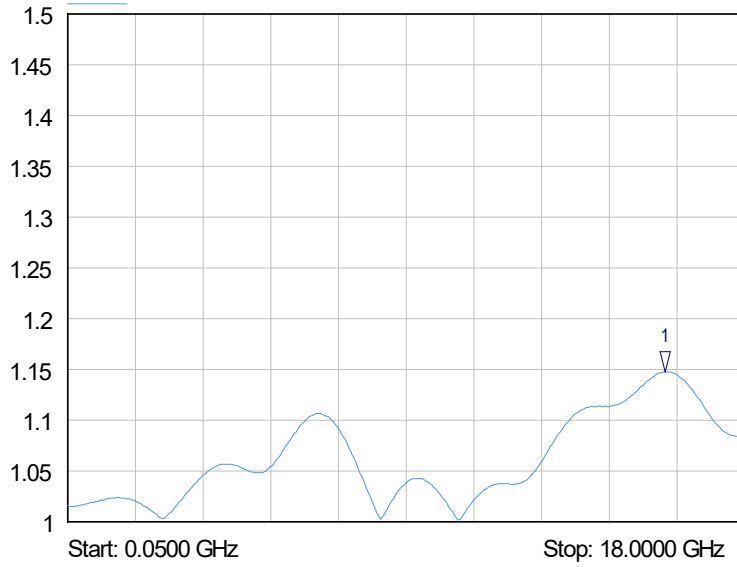
--	--

This part number complies with RoHS.

Notice: JYEBAO reserves the right to make modifications deemed appropriate.

AD-J8Q8-P4

SoftPlot Measurement Presentation
VSWR S22



1 S22
▽ 15.9000 GHz
1.15 VSWR