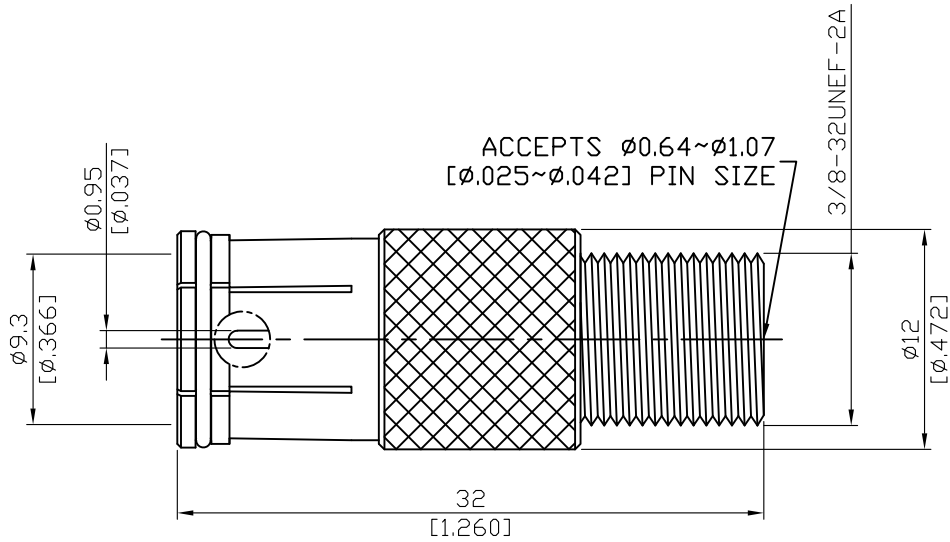


AD-FQ3F8	Snap On F Plug to F Jack 4GHz VSWR 1.2	75Ω
----------	---	-----



Parts	Material	Plating (Micro-inch)
Retainer Ring	SK5	Tin-Zinc-Copper-Alloy 100 Over Copper 50
Jack Contact Pin	Beryllium Copper	Gold 4 Over Nickel-Phosphorus Alloy 80 Over Copper 20
Insulator	PTFE & PE	
Plug Body	Phosphor Bronze	Tin-Zinc-Copper-Alloy 100 Over Copper 50
Jack Body	Brass	Tin-Zinc-Copper-Alloy 100 Over Copper 50
Plug Contact Pin	Stainless Steel	Gold 5 Over Nickel 50

--	--

This part number complies with RoHS.

Notice: JYEBAO reserves the right to make modifications deemed appropriate.

AD-FQ3F8	Snap On F Plug to F Jack 4GHz VSWR 1.2																						
Interface	F Plug Snap On Side	F Jack Screw Side																					
Standard	Per JYEBAO Snap On F Plug	IEC 61169-24																					
<table style="width: 100%; border-collapse: collapse;"> <tr> <td style="border: 1px solid black;">Electrical Data</td> <td></td> <td></td> </tr> <tr> <td>Impedance</td> <td></td> <td style="text-align: center;">75Ω</td> </tr> <tr> <td>Frequency Range</td> <td></td> <td style="text-align: center;">DC to 4GHz</td> </tr> <tr> <td>VSWR</td> <td></td> <td style="text-align: center;">≤ 1.2 (DC To 4GHz)</td> </tr> <tr> <td>Insulation Resistance</td> <td></td> <td style="text-align: center;">≥ 10000MΩ</td> </tr> <tr> <td>Dielectric Withstanding Voltage (at sea level)</td> <td></td> <td style="text-align: center;">1500 V rms</td> </tr> <tr> <td>Working Voltage (at sea level)</td> <td></td> <td style="text-align: center;">500 V rms</td> </tr> </table>			Electrical Data			Impedance		75Ω	Frequency Range		DC to 4GHz	VSWR		≤ 1.2 (DC To 4GHz)	Insulation Resistance		≥ 10000MΩ	Dielectric Withstanding Voltage (at sea level)		1500 V rms	Working Voltage (at sea level)		500 V rms
Electrical Data																							
Impedance		75Ω																					
Frequency Range		DC to 4GHz																					
VSWR		≤ 1.2 (DC To 4GHz)																					
Insulation Resistance		≥ 10000MΩ																					
Dielectric Withstanding Voltage (at sea level)		1500 V rms																					
Working Voltage (at sea level)		500 V rms																					
<table style="width: 100%; border-collapse: collapse;"> <tr> <td style="border: 1px solid black;">Mechanical Data</td> <td></td> <td></td> </tr> <tr> <td>Recommended Coupling Nut Torque</td> <td></td> <td style="text-align: center;">15 to 20 in-lbs (not applicable to snap on side)</td> </tr> <tr> <td>Coupling Proof Torque</td> <td></td> <td style="text-align: center;">60 in-lbs (not applicable to snap on side)</td> </tr> <tr> <td>Durability (mating)</td> <td></td> <td style="text-align: center;">≥ 500</td> </tr> <tr> <td>Accepts male pin size</td> <td></td> <td style="text-align: center;">Φ0.64~Φ1.07 (Φ.025~Φ.042)</td> </tr> </table>			Mechanical Data			Recommended Coupling Nut Torque		15 to 20 in-lbs (not applicable to snap on side)	Coupling Proof Torque		60 in-lbs (not applicable to snap on side)	Durability (mating)		≥ 500	Accepts male pin size		Φ0.64~Φ1.07 (Φ.025~Φ.042)						
Mechanical Data																							
Recommended Coupling Nut Torque		15 to 20 in-lbs (not applicable to snap on side)																					
Coupling Proof Torque		60 in-lbs (not applicable to snap on side)																					
Durability (mating)		≥ 500																					
Accepts male pin size		Φ0.64~Φ1.07 (Φ.025~Φ.042)																					
<table style="width: 100%; border-collapse: collapse;"> <tr> <td style="border: 1px solid black;">Environmental Data</td> <td></td> <td></td> </tr> <tr> <td>Temperature Range</td> <td></td> <td style="text-align: center;">-40°C to +80°C</td> </tr> <tr> <td>Thermal Shock</td> <td></td> <td style="text-align: center;">MIL-STD-202, Method 107, Condition B</td> </tr> <tr> <td>Moisture Resistance</td> <td></td> <td style="text-align: center;">MIL-STD-202, Method 206</td> </tr> <tr> <td>Corrosion</td> <td></td> <td style="text-align: center;">MIL-STD-202, Method 101, Condition B</td> </tr> <tr> <td>RoHS</td> <td></td> <td style="text-align: center;">Compliant</td> </tr> </table>			Environmental Data			Temperature Range		-40°C to +80°C	Thermal Shock		MIL-STD-202, Method 107, Condition B	Moisture Resistance		MIL-STD-202, Method 206	Corrosion		MIL-STD-202, Method 101, Condition B	RoHS		Compliant			
Environmental Data																							
Temperature Range		-40°C to +80°C																					
Thermal Shock		MIL-STD-202, Method 107, Condition B																					
Moisture Resistance		MIL-STD-202, Method 206																					
Corrosion		MIL-STD-202, Method 101, Condition B																					
RoHS		Compliant																					

Notice: JYEBAO reserves the right to make modifications deemed appropriate.

AD-FQ3F8

