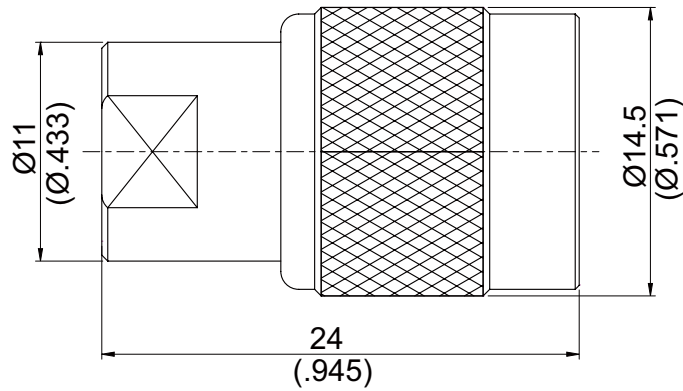


AD-FME3T3

FME Plug To TNC Plug
1GHz VSWR 1.2, 2GHz VSWR 1.3

50Ω



Parts	Material	Plating (Micro-inch)
Ring	Brass	Tin-Zinc-Copper-Alloy 100 Over Copper 50
Gasket	Silicon	
Contact Pin	Brass	Gold 4 Over Nickel-Phosphorus Alloy 80 Over Copper 20
Insulator	Teflon	
Body	Brass	Tin-Zinc-Copper-Alloy 100 Over Copper 50
Coupling Nut	Brass	Tin-Zinc-Copper-Alloy 100 Over Copper 50

Weight:

This part number complies with RoHS.

Notice: JYBAO reserves the right to make modifications deemed appropriate.

AD-FME3T3		FME Plug To TNC Plug 1GHz VSWR 1.2, 2GHz VSWR 1.3	
Interface Standard		FME Jyebao FME series	TNC MIL-STD-348B
Electrical Data Impedance Frequency Range VSWR Insulation Resistance Dielectric Withstanding Voltage (at sea level) Working Voltage (at sea level)		50Ω DC To 2GHz ≤ 1.2 (1GHz); ≤ 1.3 (2GHz) ≥ 5000MΩ 1000 V rms 500 V rms	
Mechanical Data Recommended Coupling Nut Torque Coupling Proof Torque Coupling Nut Retention Force Contact Captivation-axial Durability (mating)		FME	TNC
		≤ 17 in-lbs	4.1 to 6.1 inch lbs
		NA	15 in-lbs
		NA	≥ 101.2 lbs
		NA	≥ 6.1 lbs
		≥ 500	≥ 500
Environmental Data Temperature Range Thermal Shock Moisture Resistance Corrosion RoHS		-55°C to +125°C MIL-STD-202, Method 107, Condition B MIL-STD-202, Method 206 MIL-STD-202, Method 101, Condition B Compliant	

Notice: JYEBAO reserves the right to make modifications deemed appropriate.