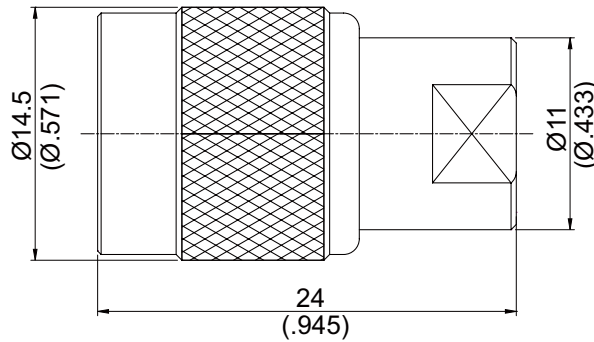


AD-FME3T3/BL **Black Chromium Plated FME Plug To TNC Plug** **50Ω**
1GHz VSWR 1.2, 2GHz VSWR 1.3



Parts	Material	Plating (Micro-inch)
Ring	Brass	Black Chromium 5 Over Copper 50
Gasket	Silicon	
Contact Pin	Brass	Gold 4 Over Nickel-Phosphorus Alloy 80 Over Copper 20
Insulator	Teflon	
Body	Brass	Black Chromium 5 Over Copper 50
Coupling Nut	Brass	Black Chromium 5 Over Copper 50

Weight:

This part number complies with RoHS.

Notice: JYEBAO reserves the right to make modifications deemed appropriate.

AD-FME3T3/BL		Black Chromium Plated FME Plug To TNC Plug 1GHz VSWR 1.2, 2GHz VSWR 1.3	
Interface		FME	TNC
Standard		Jyebao FME series	MIL-STD-348B
Electrical Data			
Impedance	50Ω		
Frequency Range	DC To 2GHz		
VSWR	≤ 1.2 (1GHz); ≤ 1.3 (2GHz)		
Insulation Resistance	≥ 5000MΩ		
Dielectric Withstanding Voltage (at sea level)	1000 V rms		
Working Voltage (at sea level)	500 V rms		
Mechanical Data			
	FME	TNC	
Recommended Coupling Nut Torque	≤ 17 in-lbs	4.1 to 6.1 inch lbs	
Coupling Proof Torque	NA	15 in-lbs	
Coupling Nut Retention Force	NA	≥ 101.2 lbs	
Contact Captivation-axial	NA	≥ 6.1 lbs	
Durability (mating)	≥ 500	≥ 500	
Environmental Data			
Temperature Range	-55°C to +125°C		
Thermal Shock	MIL-STD-202, Method 107, Condition B		
Moisture Resistance	MIL-STD-202, Method 206		
Corrosion	MIL-STD-202, Method 101, Condition B		
RoHS	Compliant		

Notice: JYEBAO reserves the right to make modifications deemed appropriate.