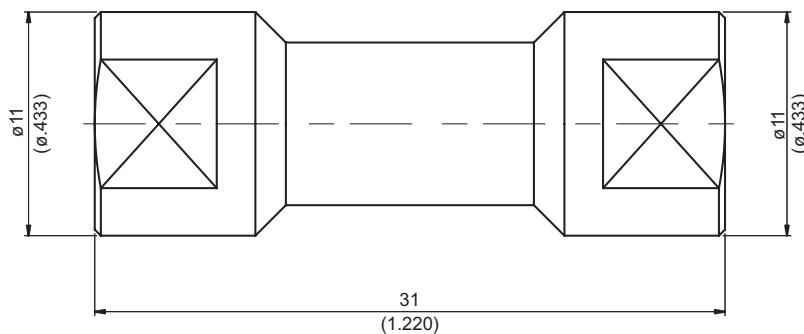


AD-FME3FME3

FME Plug To FME Plug  
1GHz VSWR 1.2, 2GHz VSWR 1.3

50Ω



Parts	Material	Plating (Micro-inch)
Contact Pin	Brass	Gold 4 Over Nickel-Phosphorus Alloy 80 Over Copper 20
Insulator	Teflon	
Body	Brass	Tin-Zinc-Copper-Alloy 100 Over Copper 50

Weight: 9.01 g

This part number complies with RoHS.

Notice: JYBAO reserves the right to make modifications deemed appropriate.

AD-FME3FME3	FME Plug To FME Plug 1GHz VSWR 1.2, 2GHz VSWR 1.3
<div data-bbox="129 344 531 394" style="border: 1px solid black; padding: 2px;">Interface</div> <p>Standard</p>	<p>Jyebao FME series</p>
<div data-bbox="129 562 531 611" style="border: 1px solid black; padding: 2px;">Electrical Data</div> <p>Impedance</p> <p>Frequency Range</p> <p>VSWR</p> <p>Insulation Resistance</p> <p>Dielectric Withstanding Voltage (at sea level)</p> <p>Working Voltage (at sea level)</p>	<p>50Ω</p> <p>DC to 2GHz</p> <p>≤ 1.2 (1GHz); ≤ 1.3 (2GHz)</p> <p>≥ 5000MΩ</p> <p>1000 V rms</p> <p>500 V rms</p>
<div data-bbox="129 1010 531 1059" style="border: 1px solid black; padding: 2px;">Mechanical Data</div> <p>Recommended Coupling Nut Torque</p> <p>Durability (mating)</p>	<p>≤ 17 in-lbs</p> <p>≥ 500</p>
<div data-bbox="129 1301 531 1350" style="border: 1px solid black; padding: 2px;">Environmental Data</div> <p>Temperature Range</p> <p>Thermal Shock</p> <p>Moisture Resistance</p> <p>Corrosion</p> <p>RoHS</p>	<p>-55°C to +125°C</p> <p>MIL-STD-202, Method 107, Condition B</p> <p>MIL-STD-202, Method 206</p> <p>MIL-STD-202, Method 101, Condition B</p> <p>Compliant</p>

Notice: JYEBAO reserves the right to make modifications deemed appropriate.