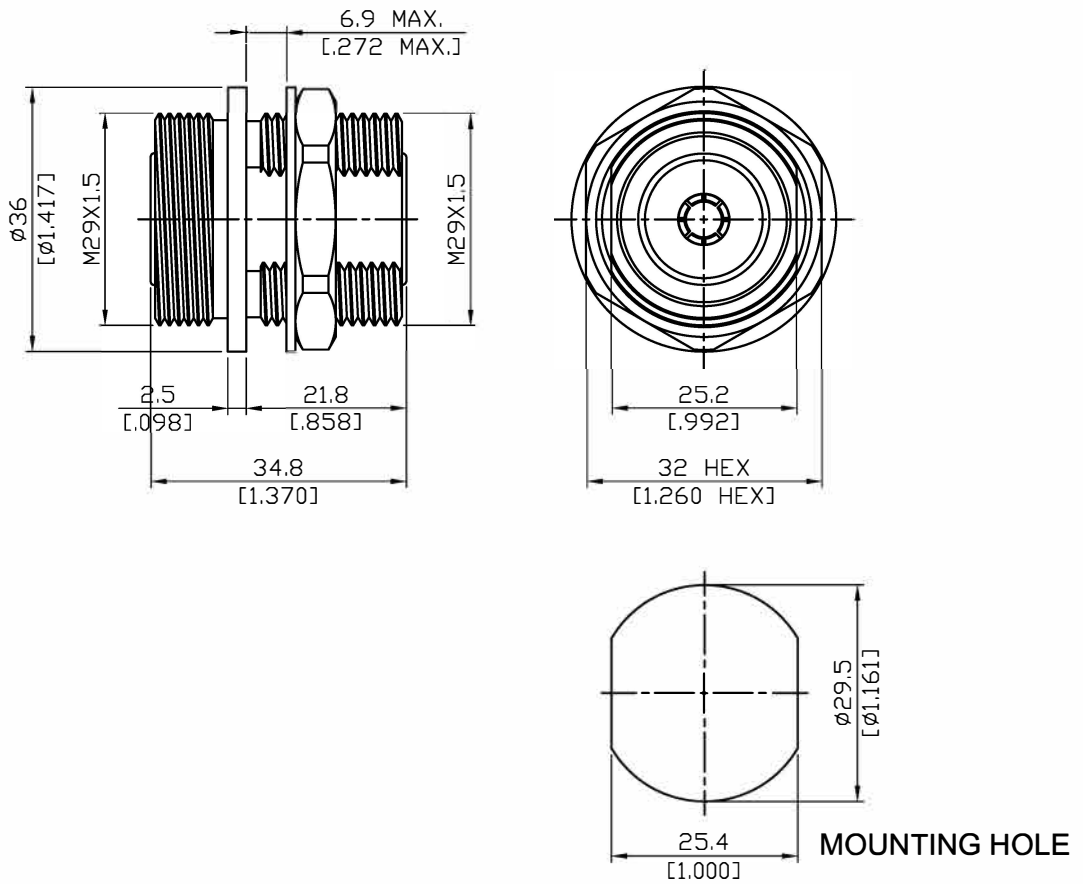


AD-DI8DI8-BF	7/16 Jack To 7/16 Jack Bulkhead 8GHz VSWR 1.2	50Ω
--------------	--	-----



Parts	Material	Plating (Micro-inch)
Hex Nut	Brass	Tin-Zinc-Copper-Alloy 100 Over Copper 50
Washer	Brass	Tin-Zinc-Copper-Alloy 100 Over Copper 50
Contact Pin	Phosphor Bronze	Gold 4 Over Nickel-Phosphorus Alloy 80 Over Copper 20
Insulator	Teflon	
Body	Brass	Tin-Zinc-Copper-Alloy 100 Over Copper 50

--	--

This part number complies with RoHS.

Notice: JYEBAO reserves the right to make modifications deemed appropriate.

AD-DI8DI8-BF	7/16 Jack To 7/16 Jack Bulkhead 8GHz VSWR 1.2
Interface Standard IEC60169-4	
Electrical Data Impedance 50Ω Frequency Range DC to 8GHz VSWR ≤ 1.2 (DC To 8GHz) Insertion Loss $\leq 0.04 \times \sqrt{f(\text{GHz})}$ dB Insulation Resistance $\geq 10000\text{M}\Omega$ Dielectric Withstanding Voltage (at sea level) 4000 V rms Working Voltage (at sea level) 2700 V rms	
Mechanical Data Recommended Coupling Nut Torque 260 in-lbs Coupling Proof Torque 310 in-lbs Contact Captivation-axial ≥ 45 lbs Durability (mating) ≥ 500	
Environmental Data Temperature Range -65°C to +165°C Thermal Shock MIL-STD-202, Method 107, Condition B Moisture Resistance MIL-STD-202, Method 206 Corrosion MIL-STD-202, Method 101, Condition B RoHS Compliant	

Notice: JYEBAO reserves the right to make modifications deemed appropriate.

AD-DI8DI8-BF

